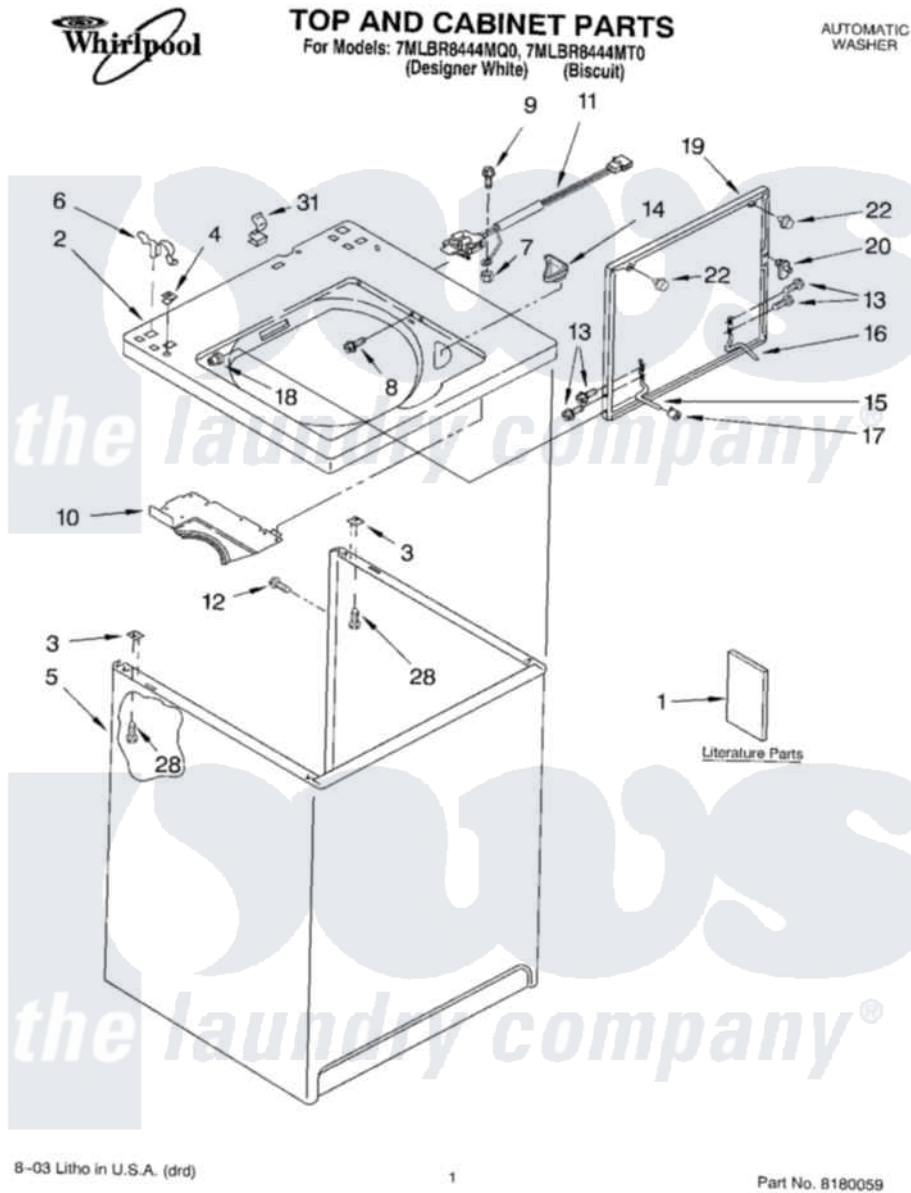


# Whirlpool 7MLBR8444MQ0 01 - TOP AND CABINET PARTS



8-03 Litho in U.S.A. (drd)

1

Part No. 8180059

Whirlpool [Residential Whirlpool 7MLBR8444MQ0 Washer Parts](#) Parts Diagram 01 - TOP AND CABINET PARTS  
 Click on the part number to view part

Item	Original Part Number	Replaced By	Status	Part Description
1	LIT3954763		Not Available	Literature Parts (Installation Instructions)
"	LIT8539738		Not Available	Literature Parts (Use & Care Guide)
"	LIT8539773		Not Available	Literature Parts (Energy Guide)
"	LIT3955770		Not Available	Literature Parts (Wiring Diagram)
2	<a href="#">8271408</a>			Top
"	<a href="#">8271410</a>			Top
3	62750			Spacer, Cabinet To Top (4)
4	<a href="#">357213</a>			Nut, Push-In
5	<a href="#">63128</a>			Cabinet
"	<a href="#">3954777</a>			Cabinet
6	<a href="#">62780</a>			Clip, Top And Cabinet And Rear Panel
7	3400901	<a href="#">680762</a>		Nut
8	<a href="#">3356311</a>			Screw And Washer, Lid Switch Shield

9	<a href="#">3351614</a>		Screw, Gearcase Cover Mounting
10	<a href="#">3950995</a>		Shield, Lid Switch
11	<a href="#">3950299</a>		Switch, Lid
12	3357011	<a href="#">308685</a>	Side Trim )
13	3351355	<a href="#">W10119828</a>	Screw, Lid Hinge Mounting
14	<a href="#">3362952</a>		Dispenser, Bleach
15	<a href="#">54584</a>		Hinge, Lid
16	<a href="#">91770</a>		Hinge, Lid
17	<a href="#">19119</a>		Bumper, Lid Hinge
18	<a href="#">21258</a>		Bearing, Lid Hinge
19	8541723	<a href="#">3957507</a>	Lid
"	8541724	<a href="#">W10193875</a>	Lid
20	357913	<a href="#">358684</a>	Strike, Lid Switch
22	<a href="#">9724509</a>		Bumper, Lid
28	<a href="#">3390631</a>		Screw, 10-16 X 3/8
31	<a href="#">90016</a>		Clip, Pressure Switch Hose

