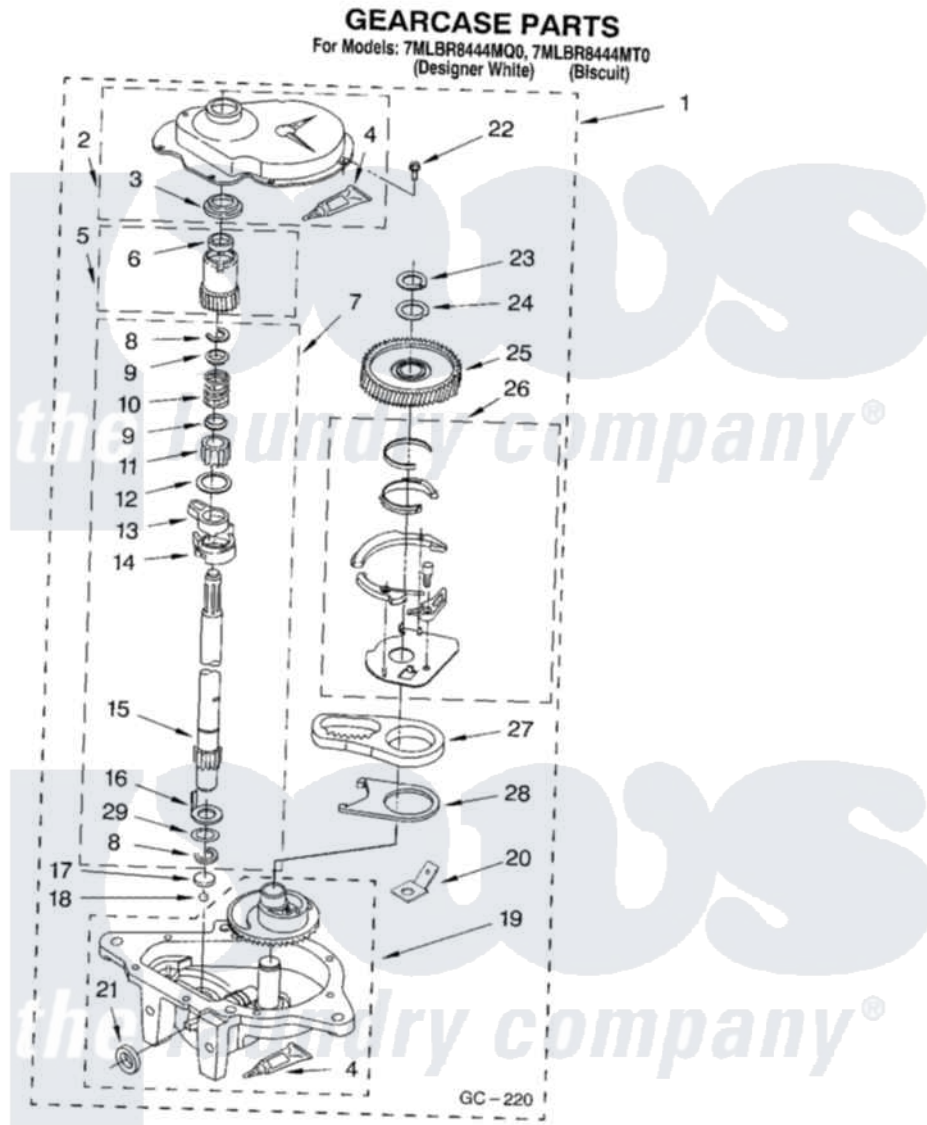


Whirlpool 7MLBR8444MQ0 08 - GEARCASE PARTS



12

8180059

Whirlpool Residential Whirlpool 7MLBR8444MQ0 Washer Parts Parts Diagram 08 - GEARCASE PARTS
Click on the part number to view part

| Item | Original Part Number | Replaced By | Status | Part Description |
|------|-------------------------|-------------------------|---------------|-----------------------|
| 1 | 8532118 | 3360629 | | Gearcase |
| 2 | 285202 | | | Cover, Gearcase |
| 3 | 3349985 | | | Seal, Gearcase Cover |
| 4 | 285195 | | | Sealer Sealer, Gasket |
| 5 | 63320 | 285362 | | Gear and Pinion |
| 6 | 356427 | | | Seal, Spin Pinion |
| 7 | 389387 | | | Shaft, Agitator |
| 8 | 90369 | | Not Available | Ring, Retaining (2) |
| 9 | 62677 | | | Retainer, Spring |
| 10 | 62676 | | | Spring, Agitator |
| 11 | 63273 | 285509 | | Shaft, Agitator |
| 12 | 62619 | | | Washer, Agitator Gear |
| 13 | 62580 | 285206 | | Cam-Agitator |
| 14 | 62581 | 285206 | | Cam-Agitator |
| 15 | 285509 | | | Shaft, Agitator |
| 16 | 62618 | | | Washer, Cam Thrust |

| | | | |
|----|-------------------------|-------------------------|--------------------------------------------------------------------------------------------------------------------|
| 17 | 16018 | 285205 | Bearing |
| 18 | 85529 | 285205 | Bearing |
| 19 | 389230 | 285515 | Gearcase |
| 20 | 3949116 | Not Available | BLOCK TAB, TERMINAL |
| 21 | 285352 | | Seal Kit, Thrust Plug |
| 22 | 3351614 | | Screw, Gearcase Cover Mounting |
| 23 | 3362552 | 285765 | Ring-Retrn |
| 24 | 285735 | 285766 | Washer Kit, Thrust |
| 25 | 62570 | 285362 | Gear and Pinon |
| 26 | 388253 | 999516 | Shelf-Glas |
| 27 | 3349296 | 8546456 | Rack, Connecting |
| 28 | 62621 | | Actuator, Shift |
| 29 | 388815 | | Washer, Intermediate 1 3976263 Miscellaneous Parts Bag 2 3976300 Washer, Inlet Hose 3 3366913 Clamp, Hose |

the laundry company

