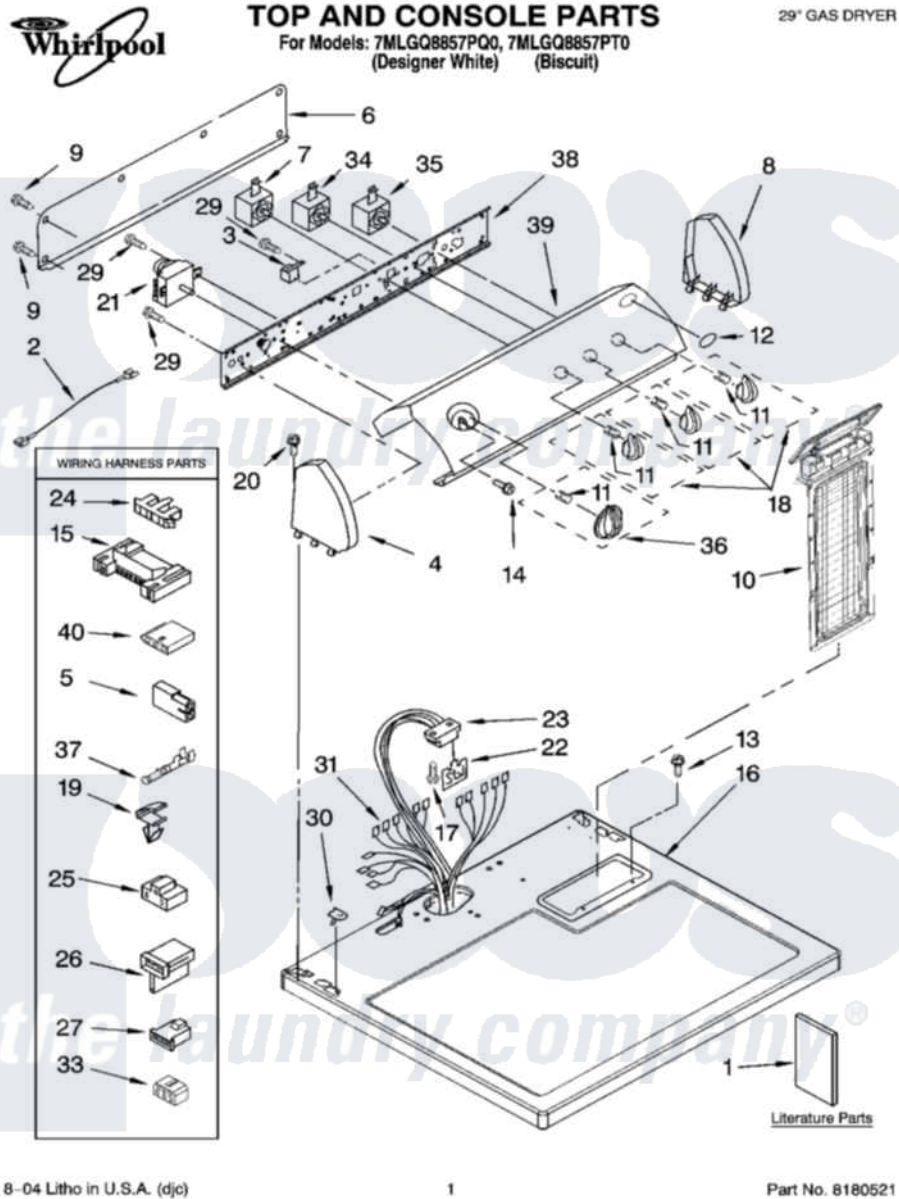


# Whirlpool 7MLGQ8857PQ0 01 - TOP AND CONSOLE PARTS



8-04 Litho in U.S.A. (djc)

1

Part No. 8180521

Whirlpool [Residential Whirlpool 7MLGQ8857PQ0 Dryer Parts](#) Parts Diagram 01 - TOP AND CONSOLE PARTS  
 Click on the part number to view part

Item	Original Part Number	Replaced By	Status	Part Description
1	8564241		Not Available	Instructions, Installation
"	8565899		Not Available	Sheet, Cycle Feature
"	8565897		Not Available	Use And Care Guide
"	8533206		Not Available	Wiring Diagram
"	N/A		Not Available	Following May Be Purchased DO-IT-YOURSELF REPAIR MANUALS
"	677818		Not Available	Manual, Do-It- Yourself Repair (Dryer)
2	<a href="#">3401684</a>			Jumper, Wire
3	<a href="#">694419</a>			Mini-Buzzer
4	8271365	<a href="#">279962</a>		Endcap
"	8271368	<a href="#">279965</a>		Endcap
5	<a href="#">717252</a>			Receptacle, Terminal
6	<a href="#">8274261</a>			Do-It-Yourself Repair Manuals
7	<a href="#">3405155</a>			Switch, Temperature
8	8271359	<a href="#">279962</a>		Endcap

"	8271362	<a href="#">279965</a>	Endcap
9	<a href="#">693995</a>		Screw, Hex Head
10	<a href="#">8557857</a>		Screen, Lint
"	<a href="#">8557858</a>		Screen, Lint
11	<a href="#">8536939</a>		Clip, Knob
12	<a href="#">3400985</a>		Medallion
13	688983	<a href="#">487240</a>	Screw, For Mtg. Service Capacitor
14	<a href="#">3400859</a>		Screw, Grounding
15	<a href="#">3395683</a>		Receptacle, Multi-Terminal
16	8557930	<a href="#">8563985</a>	Top
"	8557931	<a href="#">8563986</a>	Top
17	343641	<a href="#">681414</a>	Screw, 10AB X 1/2
18	<a href="#">8544935</a>		Knob, Control
"	<a href="#">8544936</a>		Knob, Control
19	<a href="#">3394427</a>		Clip-Harness
20	<a href="#">388326</a>		Screw, 8-18 X 1.25
21	<a href="#">3406725</a>		Timer Assembly
22	3390537	<a href="#">8558178</a>	Control, Electronic
23	<a href="#">3391885</a>		Connector, Edge
24	<a href="#">3397269</a>		Connector, Timer
25	<a href="#">3401144</a>		Connector
26	<a href="#">3403499</a>		Connector, 2-Position
27	<a href="#">3403498</a>		Connector, 3-Position
29	3390646	<a href="#">W10139210</a>	Screw, 8-18 X 5/16
30	<a href="#">357213</a>		Nut, Push-In
31	<a href="#">8299891</a>		Harness, Wiring
33	<a href="#">3347243</a>		Block, Disconnect
34	<a href="#">3405154</a>		Switch Rotary
35	<a href="#">3398095</a>		Switch, Push-To-Start
36	<a href="#">8544955</a>		Timer Knob Assembly
"	<a href="#">8544956</a>		Timer Knob Assembly
37	<a href="#">94614</a>		Terminal
38	<a href="#">8544895</a>		Bracket, Control
39	<a href="#">8318807</a>		Panel, Control
"	<a href="#">8318808</a>		Panel, Control
40	<a href="#">3936144</a>		Do-It-Yourself Repair Manuals

