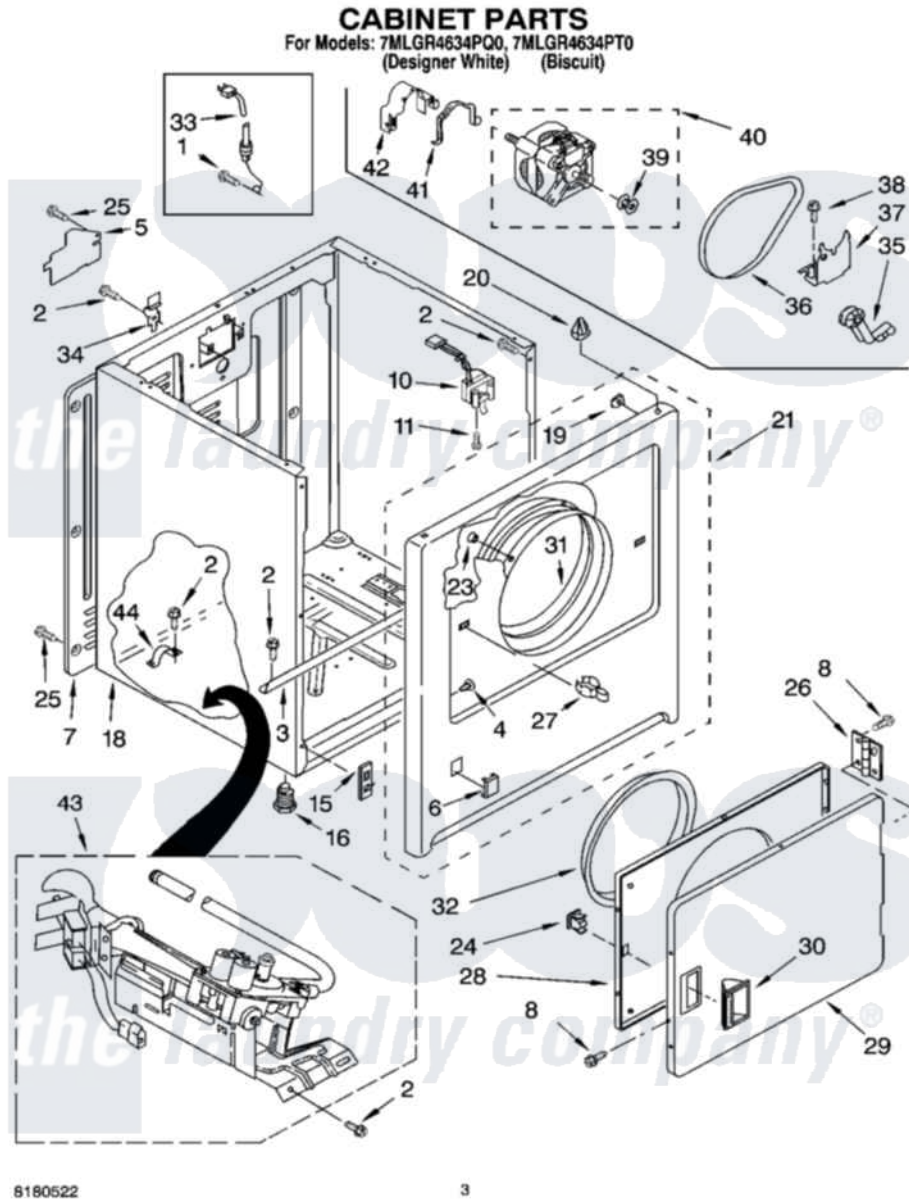


Whirlpool 7MLGR4634PQ0 02 - CABINET PARTS



Whirlpool [Residential Whirlpool 7MLGR4634PQ0 Dryer Parts](#) Parts Diagram 02 - CABINET PARTS
Click on the part number to view part

| Item | Original Part Number | Replaced By | Status | Part Description |
|------|-------------------------|-------------------------|--------|------------------------|
| 1 | 697776 | 4331106 | | Screw, No.10-32 X 7/16 |
| 2 | 343641 | 681414 | | Screw, 10AB X 1/2 |
| 3 | 8541400 | | | Bracket, Cabinet |
| 4 | 3404413 | | | Plug, Hinge Hole |
| " | 3404415 | | | Plug, Hinge Hole |
| 5 | 3396795 | | | Cover, Terminal Block |
| 6 | 3394975 | | | Plug, Front Panel |
| " | 3394978 | | | Plug, Front Panel |
| 7 | 3396807 | 280040 | | Panel-Rear |
| 8 | 342055 | 488627 | | Screw |
| 10 | 3406104 | 3406105 | | Door Switch Assembly |
| 11 | 697773 | 3395530 | | Screw |
| 15 | 3394083 | | | Clip, Front Panel |
| 16 | 3392100 | 49621 | | Feet-Leveling |
| " | 279810 | | | Foot-Optional |
| 18 | 8530603 | 8533643 | | Cabinet |

| | | | |
|----|-------------------------|---------------------------|--|
| " | 8530606 | 3977306 | Cabinet |
| 19 | 98234 | | Clip, U-Bend |
| 20 | 690363 | 18776 | Lock, Front Top |
| 21 | 3403574 | 279846 | Panel |
| " | 3403577 | 279932 | Panel |
| 23 | 685203 | 279220 | Clip |
| 24 | 690081 | 279570 | Latch |
| 25 | 693995 | | Screw, Hex Head |
| 26 | 3405514 | W10362431 | Hinge And Pin Assembly |
| 27 | 696144 | 279570 | Latch |
| 28 | 3403371 | | Door, Inner |
| 29 | 3403361 | | Door Front |
| " | 3403363 | | Door, Front |
| 30 | 3405184 | | Handle, Door |
| " | 3405189 | | Handle, Door |
| 31 | 8066124 | 279264 | Air Channel Box |
| 32 | 3405245 | | 5/16-18 X 3/4 |
| 33 | 344020 | 3401402 | Cord, Power |
| 34 | 238088 | 8066217 | Hinge, Top |
| 35 | 691366 | | Idler And Pulley Assembly |
| 36 | 8066065 | 341241 | Belt |
| 37 | 348780 | | Base, Motor |
| 38 | 3400500 | | Bolt, 3405245 5/16-18 X 3/4 |
| 39 | 3394341 | W10299847 | Pulley-Motor |
| 40 | 8538262 | 279827 | Motor-Drve |
| 41 | 660658 | | Clamp, Motor Mounting 343481 685441 |
| 42 | 3404162 | | Clamp, Motor |
| 43 | 8318272 | W10465748 | Burner-Gas |
| 44 | 341029 | | Clamp, Pipe Door Spring |

