

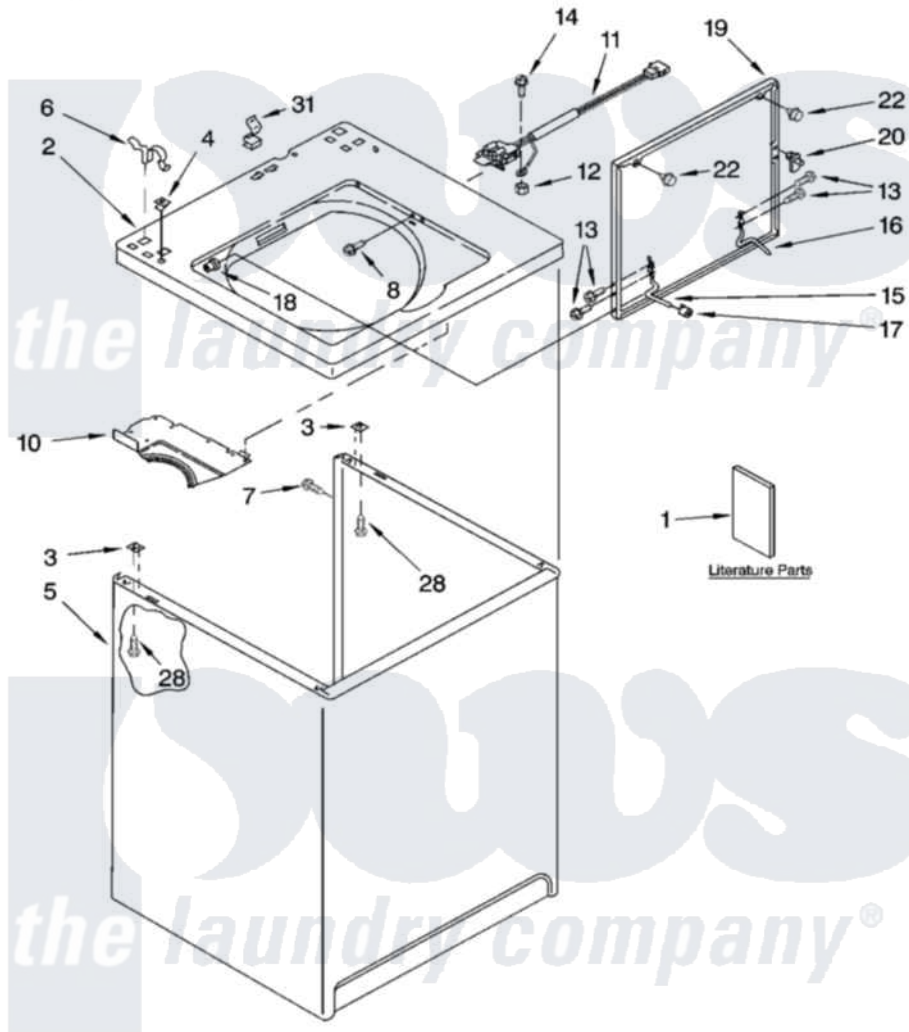
# Whirlpool 7MLSR6232JQ4 01 - TOP AND CABINET PARTS



## TOP AND CABINET PARTS

For Model: 7MLSR6232JT4  
(Biscuit)

AUTOMATIC  
WASHER



4-03 Litho in U.S.A. (drd)

1

Part No. 8190001

Whirlpool [Residential Whirlpool 7MLSR6232JQ4 Washer Parts](#) Parts Diagram 01 - TOP AND CABINET PARTS  
Click on the part number to view part

Item	Original Part Number	Replaced By	Status	Part Description
1	LIT3954763		Not Available	Literature Parts (Installation Instructions)
"	LIT8539737		Not Available	Literature Parts (Use & Care Guide)
"	LIT8539772		Not Available	Literature Parts (Energy Guide (Mexico))
"	LIT3954905		Not Available	Literature Parts (Wiring Diagram)
2	8274315		Not Available	Top (White)
"	<a href="#">8274317</a>			Top
3	62750			Spacer, Cabinet To Top (4)
4	<a href="#">357213</a>			Nut, Push-In
5	<a href="#">63424</a>			Cabinet
"	<a href="#">3954357</a>			Cabinet
6	<a href="#">62780</a>			Clip, Top And Cabinet And Rear Panel
7	3357011	<a href="#">308685</a>		Side Trim )
8	<a href="#">3356311</a>			Screw And Washer, Lid Switch Shield

10	<a href="#">3950994</a>		Shield, Lid Switch
11	<a href="#">3950298</a>		Switch, Lid
12	3400901	<a href="#">680762</a>	Nut
13	3351355	<a href="#">W10119828</a>	Screw, Lid Hinge Mounting
14	<a href="#">3351614</a>		Screw, Gearcase Cover Mounting
15	<a href="#">54584</a>		Hinge, Lid
16	<a href="#">91770</a>		Hinge, Lid
17	<a href="#">19119</a>		Bumper, Lid Hinge
18	<a href="#">21258</a>		Bearing, Lid Hinge
19	8541723	<a href="#">3957507</a>	Lid
"	8541724	<a href="#">W10193875</a>	Lid
20	357913	<a href="#">358684</a>	Strike, Lid Switch
22	<a href="#">9724509</a>		Bumper, Lid
28	<a href="#">3390631</a>		Screw, 10-16 X 3/8
31	<a href="#">90016</a>		Clip, Pressure Switch Hose

