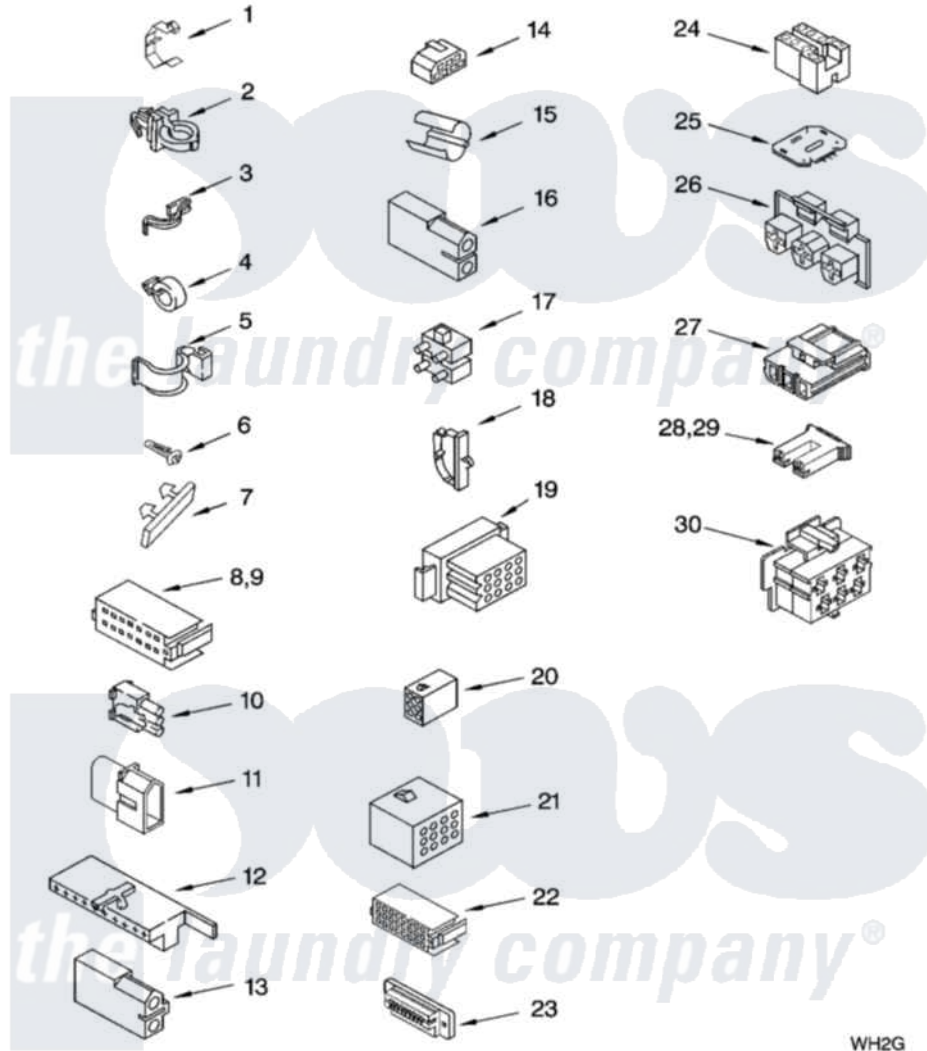


Whirlpool 7MLSR6232JQ5 06 - WIRING HARNESS PARTS

WIRING HARNESS PARTS

For Models: 7MLSR6232JQ5, 7MLSR6232JT5
(Designer White) (Biscuit)



WH2G

8180144

9

Whirlpool [Residential Whirlpool 7MLSR6232JQ5 Washer Parts](#) Parts Diagram 06 - WIRING HARNESS PARTS
Click on the part number to view part

Item	Original Part Number	Replaced By	Status	Part Description
1	3349557			Retainer, Harness
2	388498		Not Available	Clip, Harness
3	3347812	8528351		Clip
4	3352501	8559320		Restraint, Hose
5	90016			Clip, Pressure Switch Hose
6	3390496	8281256		Clip, Harness
7	389379			Retainer, Side To Feature Panel
8	352090			Timer, Block Disconnect
9	352089			Timer, Block Disconnect
10	62889			Receptacle, Terminal
11	353424			Plug, Terminal
12	62505			Block, Disconnect
13	3348075			Block, Disconnect (Motor 3 Speed) (Use Term. 94613 Or 94614)
14	3347243			Block, Disconnect

15	63523		Harness, Protector
16	717252		Receptacle, Terminal
17	387566		Plug, Terminal (4-Way) (Power Cord) (Use M3 Screws)
18	3352944		Clip, Harness
19	3390423	Not Available	Block, Disconnect (12-Way) (Timer) (Use Term. 94613)
20	3347730	Not Available	Receptacle, (6-Way) (Use Term. 94613)
21	388818		Plug, Terminal (12-Way) (Use Term. 94613 Or 94614)
22	3369366	Not Available	Timer, Block Disconnect (Black) (Amp) (Use Term. 3369365)
23	3349494		Connector, Etc
24	60687		Connector, Relay (Use Term. 308569)
25	3407125	3955728	Control, Etc
26	3948617	2172937	Connector
27	3360056		Connector
28	3354925		Block, Connector
29	3354926		Block, Connector
30	3948615	Not Available	Connector (T.P.A.) (6-Circuit) (Temp. Switch) (Use Term. 3948619 OR 3948620.)

