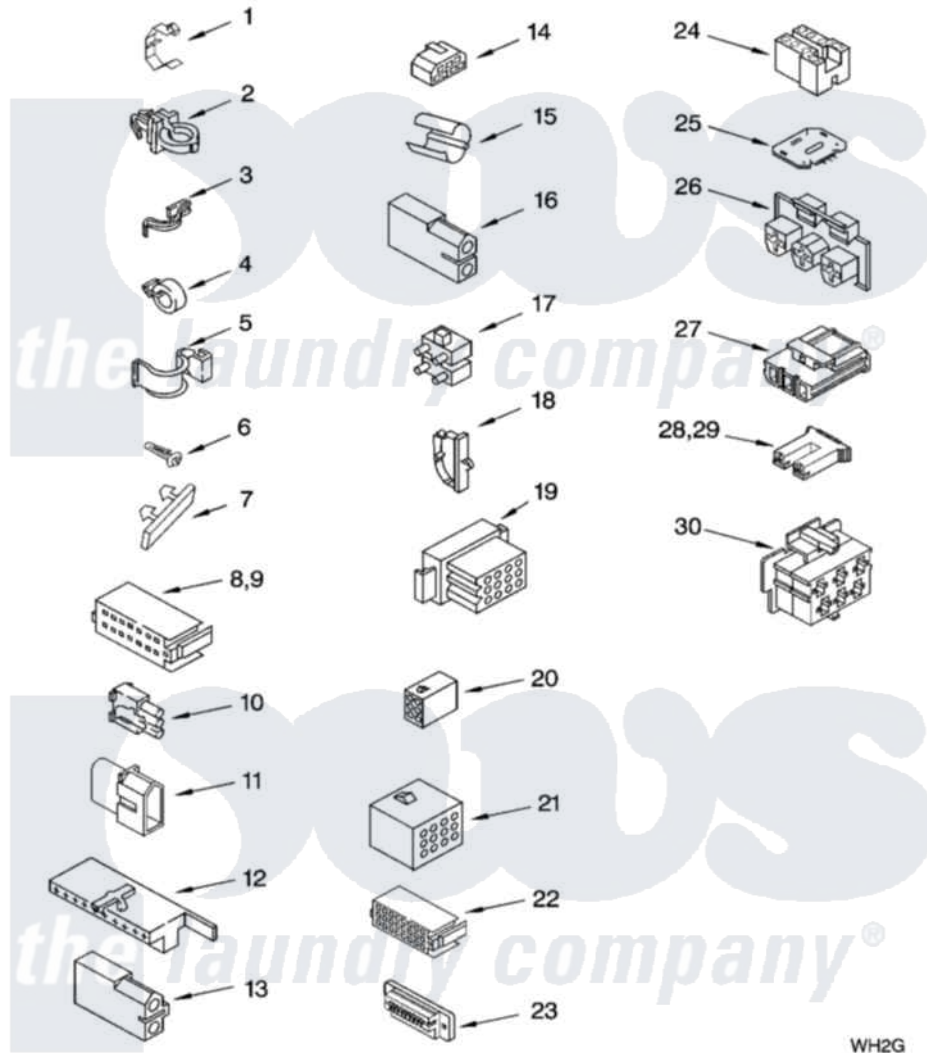


Whirlpool 7MLSR6332KQ3 06 - WIRING HARNESS PARTS

WIRING HARNESS PARTS

For Model: 7MLSR6332KQ3
(Designer White)



WH2G

8180146

9

Whirlpool [Residential Whirlpool 7MLSR6332KQ3 Washer Parts](#) Parts Diagram 06 - WIRING HARNESS PARTS

[Click on the part number to view part](#)

| Item | Original Part Number | Replaced By | Status | Part Description |
|------|-------------------------|-------------------------|---------------|--------------------------------------------------------------|
| 1 | 3349557 | | | Retainer, Harness |
| 2 | 388498 | | Not Available | Clip, Harness |
| 3 | 3347812 | 8528351 | | Clip |
| 4 | 3352501 | 8559320 | | Restraint, Hose |
| 5 | 90016 | | | Clip, Pressure Switch Hose |
| 6 | 3390496 | 8281256 | | Clip, Harness |
| 7 | 389379 | | | Retainer, Side To Feature Panel |
| 8 | 352090 | | | Timer, Block Disconnect |
| 9 | 352089 | | | Timer, Block Disconnect |
| 10 | 62889 | | | Receptacle, Terminal |
| 11 | 353424 | | | Plug, Terminal |
| 12 | 62505 | | | Block, Disconnect |
| 13 | 3348075 | | | Block, Disconnect (Motor 3 Speed) (Use Term. 94613 Or 94614) |
| 14 | 3347243 | | | Block, Disconnect |

| | | | |
|----|-------------------------|-------------------------|-------------------------------------------------------------------------------|
| 15 | 63523 | | Harness, Protector |
| 16 | 717252 | | Receptacle, Terminal |
| 17 | 387566 | | Plug, Terminal (4-Way) (Power Cord) (Use M3 Screws) |
| 18 | 3352944 | | Clip, Harness |
| 19 | 3390423 | Not Available | Block, Disconnect (12-Way) (Timer) (Use Term. 94613) |
| 20 | 3347730 | Not Available | Receptacle, (6-Way) (Use Term. 94613) |
| 21 | 388818 | | Plug, Terminal (12-Way) (Use Term. 94613 Or 94614) |
| 22 | 3369366 | Not Available | Timer, Block Disconnect (Black) (Amp) (Use Term. 3369365) |
| 23 | 3349494 | | Connector, Etc |
| 24 | 60687 | | Connector, Relay (Use Term. 308569) |
| 25 | 3407125 | 3955728 | Control, Etc |
| 26 | 3948617 | 2172937 | Connector |
| 27 | 3360056 | | Connector |
| 28 | 3354925 | | Block, Connector |
| 29 | 3354926 | | Block, Connector |
| 30 | 3948615 | Not Available | Connector (T.P.A.) (6-Circuit) (Temp. Switch) (Use Term. 3948619 OR 3948620.) |

