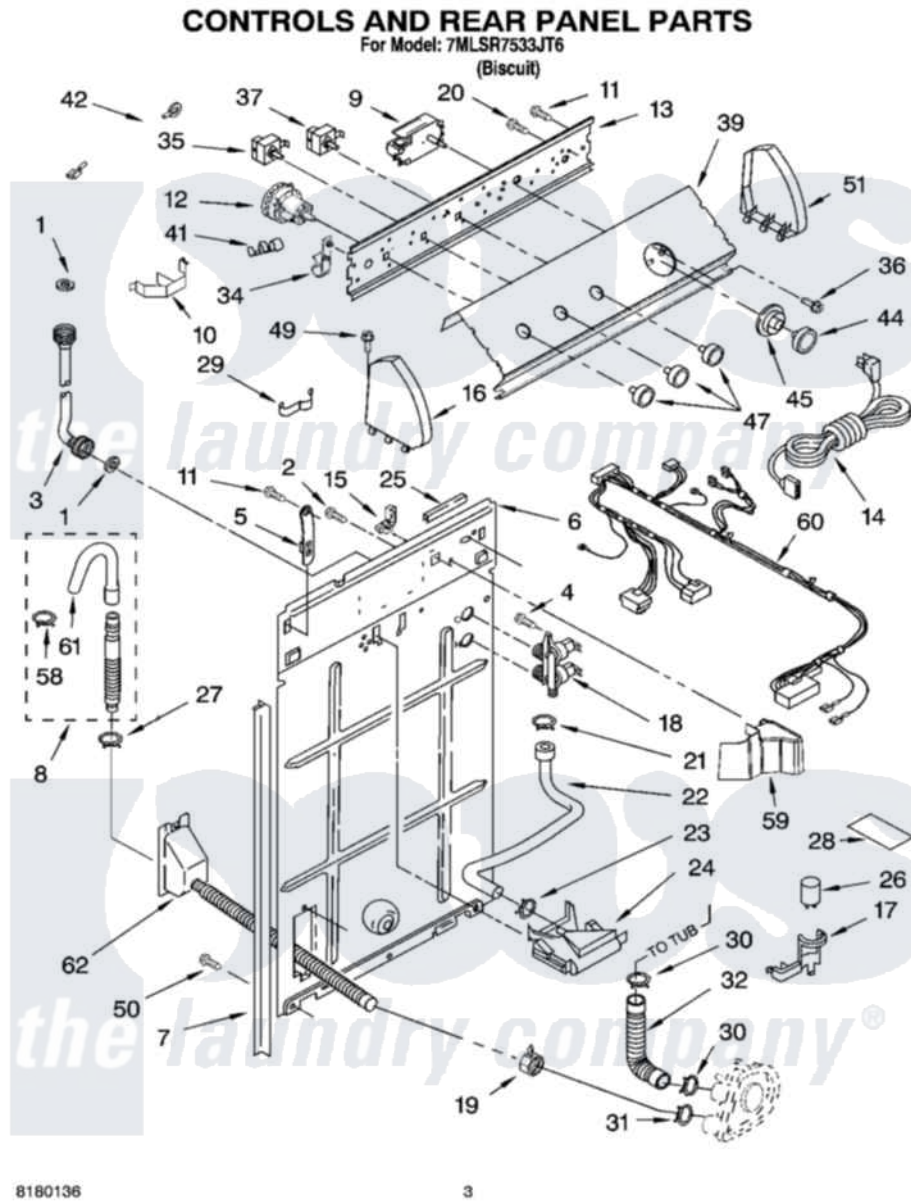


Whirlpool 7MLSR7533JT6 02 - CONTROLS AND REAR PANEL PARTS



Whirlpool [Residential Whirlpool 7MLSR7533JT6 Washer Parts](#) Parts Diagram 02 - CONTROLS AND REAR PANEL PARTS

[Click on the part number to view part](#)

Item	Original Part Number	Replaced By	Status	Part Description
1	3976300	16123		Washer Inlet-Hose Miscellaneous Parts Must be Ordered Separately.
2	3351614			Screw, Gearcase Cover Mounting
3	3949374	89503		Hose-Inlet
"	3949375	89503		Hose-Inlet
4	9740848			Screw, Mixing Valve Mounting
5	8318255	8568314		Strap, Console
6	8318405			Panel, Rear
7	62747			Pad, Rear Panel
8	3951609	285664		Hose
"	661577	285666		Hose
"	3357090	285702		Hose
9	3949208			Timer, Control
10	8055003			Clip, Harness And Pressure Switch

11	90767		Screw, 8A X 3/8 HeX Washer Head Tapping
12	3366848	W10339229	Switch-WL
13	3948608		Bracket, Control
14	8532158	W10130795	Cord-Power
15	3949468	285777	Relief-Str
16	8314852		Cap, End
17	8318201	8318046	Clip, Capacitor
18	3952164	285805	Valve-Inlet
19	3976395		Restraint, Hose
20	3179795		Screw, Ground
21	8533946	596669	Clamp, Manifold
22	8317974	8317926	Hose, Vacuum Break
23	9724996	596669	Clamp, Manifold
24	387606	3360977	Break-Vac
25	303294	3367669	Protector, Edge
26	661606	8572717	Capacitor, Motor Start
27	3366912	356138	Clamp, Hose
28	3976286		Shield, Capacitor
29	3347812	8528351	Clip
30	3363366	616099	Clamp
31	8317496	285655	Clamp, Hose
32	3951449	285871	Hose
34	8317975		Restraint, Harness
35	661612	W10168256	Switch, Water Temperature
36	3400818		Screw, Timer Mounting
37	3949187	W10168262	Switch, Rotary
39	8532156		Panel, Console
41	357572	W10113937	Clip, Grounding
42	3398893	3395559	Wire
44	8271347	3957822	Knob, Timer
45	8271370	3957850	Dial, Timer
47	8271348	3957797	Knob, Push-To-Start
49	388326		Screw, 8-18 X 1.25
50	62863	3390631	Screw, 10-16 X 3/8
51	8314851		Cap, End
58	3366913	3357331	Clamp, Drain
59	8314879		Shield, Inlet Valve
60	3956730		Harness, Wiring
61	3357027		Nozzle, Hose Drain
62	8317940	W10358149	Drain Hose Assembly

the laundry company[®]