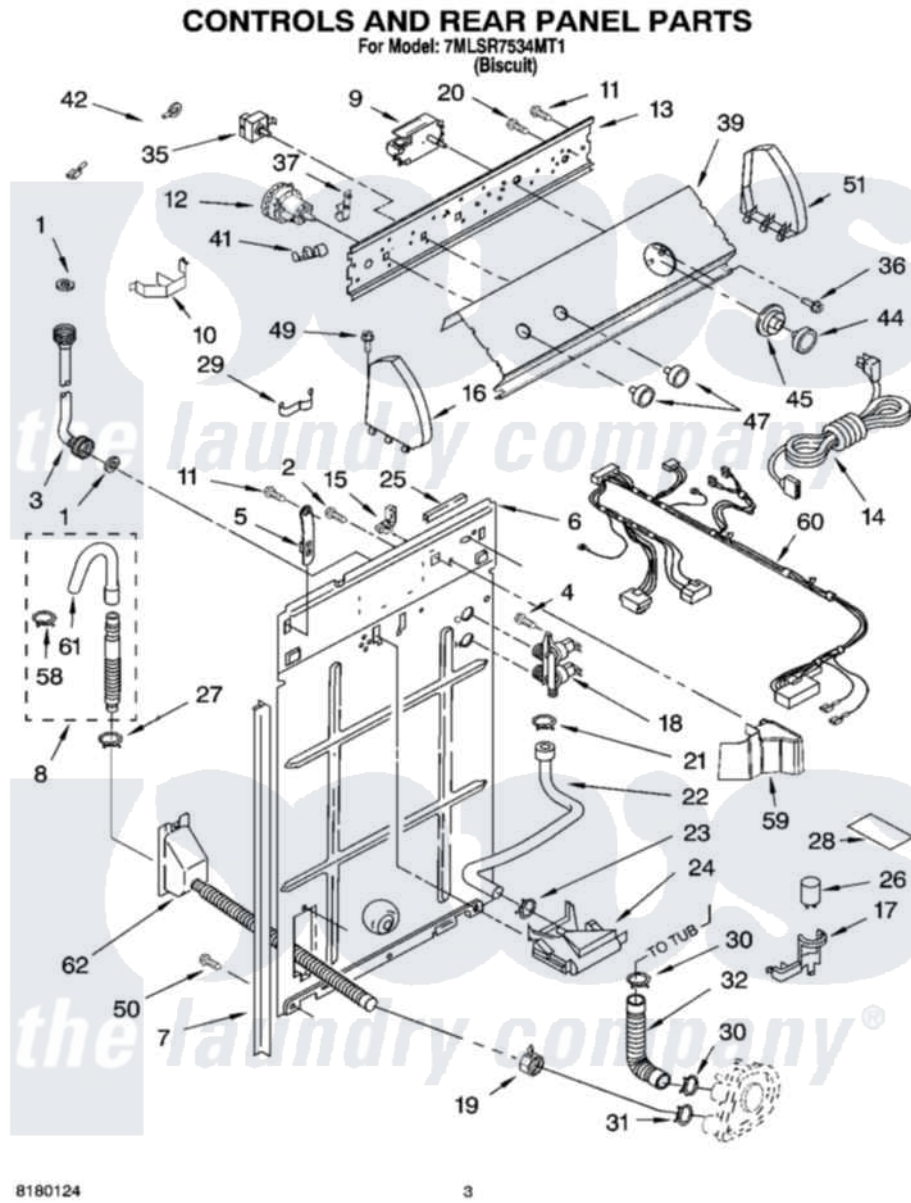


# Whirlpool 7MLSR7534MT1 02 - CONTROLS AND REAR PANEL PARTS



Whirlpool [Residential Whirlpool 7MLSR7534MT1 Washer Parts](#) Parts Diagram 02 - CONTROLS AND REAR PANEL PARTS

[Click on the part number to view part](#)

| Item | Original Part Number    | Replaced By             | Status | Part Description   |
|------|-------------------------|-------------------------|--------|--|
| 1    | 3976300                 | <a href="#">16123</a>   |        | Washer Inlet-Hose<br>Miscellaneous Parts Must be Ordered Separately. |
| 2    | <a href="#">3351614</a> |                         |        | Screw, Gearcase Cover Mounting                                       |
| 3    | 3949374                 | <a href="#">89503</a>   |        | Hose-Inlet   |
| "    | 3949375                 | <a href="#">89503</a>   |        | Hose-Inlet   |
| 4    | <a href="#">9740848</a> |                         |        | Screw, Mixing Valve Mounting   |
| 5    | 8318255                 | <a href="#">8568314</a> |        | Strap, Console   |
| 6    | <a href="#">8318405</a> |                         |        | Panel, Rear  |
| 7    | <a href="#">62747</a>   |                         |        | Pad, Rear Panel  |
| 8    | 3951609                 | <a href="#">285664</a>  |        | Hose   |
| "    | 661577                  | <a href="#">285666</a>  |        | Hose   |
| "    | 3357090                 | <a href="#">285702</a>  |        | Hose   |
| 9    | <a href="#">3949208</a> |                         |        | Timer, Control   |
| 10   | <a href="#">8055003</a> |                         |        | Clip, Harness And Pressure Switch                                    |

|    |                         |                           |   |
|----|-------------------------|---------------------------|---|
| 11 | <a href="#">90767</a>   |                           | Screw, 8A X 3/8 HeX Washer Head Tapping |
| 12 | 3366847                 | <a href="#">W10337780</a> | Switch-WL                               |
| 13 | <a href="#">3948608</a> |                           | Bracket, Control                        |
| 14 | 8532158                 | <a href="#">W10130795</a> | Cord-Power                              |
| 15 | 3949468                 | <a href="#">285777</a>    | Relief-Str                              |
| 16 | <a href="#">8314852</a> |                           | Cap, End                                |
| 17 | 8318201                 | <a href="#">8318046</a>   | Clip, Capacitor                         |
| 18 | 3952164                 | <a href="#">285805</a>    | Valve-Inlet                             |
| 19 | <a href="#">3976395</a> |                           | Restraint, Hose                         |
| 20 | <a href="#">3179795</a> |                           | Screw, Ground                           |
| 21 | 8533946                 | <a href="#">596669</a>    | Clamp, Manifold                         |
| 22 | 8317974                 | <a href="#">8317926</a>   | Hose, Vacuum Break                      |
| 23 | 9724996                 | <a href="#">596669</a>    | Clamp, Manifold                         |
| 24 | 387606                  | <a href="#">3360977</a>   | Break-Vac                               |
| 25 | 303294                  | <a href="#">3367669</a>   | Protector, Edge                         |
| 26 | 661606                  | <a href="#">8572717</a>   | Capacitor, Motor Start                  |
| 27 | 3366912                 | <a href="#">356138</a>    | Clamp, Hose                             |
| 28 | <a href="#">3976286</a> |                           | Shield, Capacitor                       |
| 29 | 3347812                 | <a href="#">8528351</a>   | Clip                                    |
| 30 | 3363366                 | <a href="#">616099</a>    | Clamp                                   |
| 31 | 8317496                 | <a href="#">285655</a>    | Clamp, Hose                             |
| 32 | 3951449                 | <a href="#">285871</a>    | Hose                                    |
| 35 | 661612                  | <a href="#">W10168256</a> | Switch, Water Temperature               |
| 36 | <a href="#">3400818</a> |                           | Screw, Timer Mounting                   |
| 37 | <a href="#">8317975</a> |                           | Restraint, Harness                      |
| 39 | <a href="#">8539623</a> |                           | Panel, Console                          |
| 41 | 357572                  | <a href="#">W10113937</a> | Clip, Grounding                         |
| 42 | 3398893                 | <a href="#">3395559</a>   | Wire                                    |
| 44 | 8271347                 | <a href="#">3957822</a>   | Knob, Timer                             |
| 45 | 8271370                 | <a href="#">3957850</a>   | Dial, Timer                             |
| 47 | 8271348                 | <a href="#">3957797</a>   | Knob, Push-To-Start                     |
| 49 | <a href="#">388326</a>  |                           | Screw, 8-18 X 1.25                      |
| 50 | 62863                   | <a href="#">3390631</a>   | Screw, 10-16 X 3/8                      |
| 51 | <a href="#">8314851</a> |                           | Cap, End                                |
| 58 | 3366913                 | <a href="#">3357331</a>   | Clamp, Drain                            |
| 59 | <a href="#">8314879</a> |                           | Shield, Inlet Valve                     |
| 60 | <a href="#">3956728</a> |                           | Harness, Wiring                         |
| 61 | <a href="#">3357027</a> |                           | Nozzle, Hose Drain                      |
| 62 | 8317940                 | <a href="#">W10358149</a> | Drain Hose Assembly                     |

*the laundry company*<sup>®</sup>