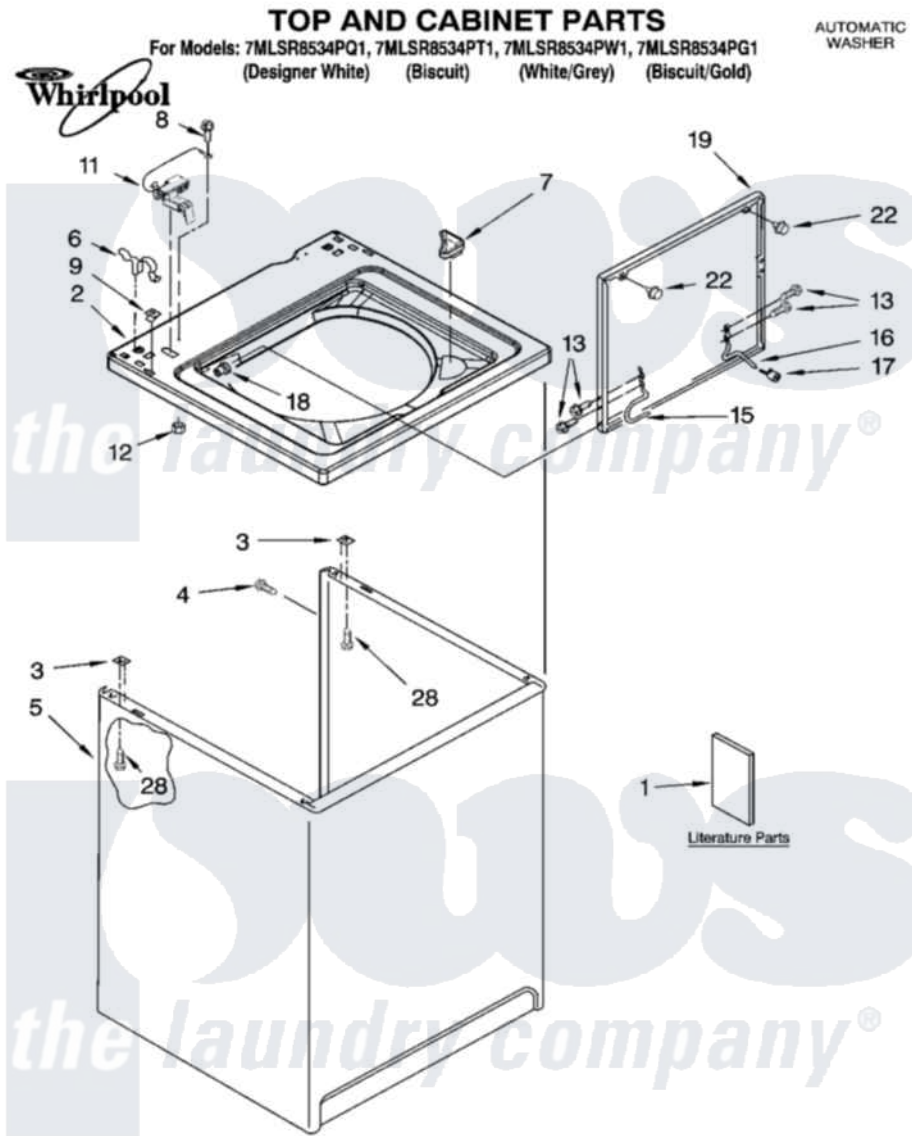


# Whirlpool 7MLSR8534PQ1 01 - TOP AND CABINET PARTS



Whirlpool [Residential Whirlpool 7MLSR8534PQ1 Washer Parts](#) Parts Diagram 01 - TOP AND CABINET PARTS  
 Click on the part number to view part

Item	Original Part Number	Replaced By	Status	Part Description
1	8316475		Not Available	Installation Instructions
"	8558603		Not Available	Feature Sheet
"	8558605		Not Available	Energy Guide (Mexico)
"	8539806		Not Available	Use & Care Guide
"	8543288		Not Available	Wiring Diagram
2	<a href="#">8318064</a>			Top
"	<a href="#">8318066</a>			Top
3	62750			Spacer, Cabinet To Top (4)
4	3357011	<a href="#">308685</a>		Side Trim )
5	<a href="#">63424</a>			Cabinet
"	<a href="#">3954357</a>			Cabinet
6	<a href="#">62780</a>			Clip, Top And Cabinet And Rear Panel
7	<a href="#">3362952</a>			Dispenser, Bleach
8	<a href="#">3351614</a>			Screw, Gearcase Cover Mounting
9	<a href="#">357213</a>			Nut, Push-In

11	<a href="#">8318084</a>		Switch, Lid
12	8533959	<a href="#">680762</a>	Nut
13	3351355	<a href="#">W10119828</a>	Screw, Lid Hinge Mounting
15	<a href="#">8318088</a>		Hinge, Lid
16	<a href="#">54583</a>		Hinge, Lid
17	<a href="#">19119</a>		Bumper, Lid Hinge
18	<a href="#">21258</a>		Bearing, Lid Hinge
19	8557513	<a href="#">3957617</a>	Lid
"	8557514	<a href="#">3957618</a>	Lid
22	<a href="#">9724509</a>		Bumper, Lid
28	<a href="#">3390631</a>		Screw, 10-16 X 3/8

