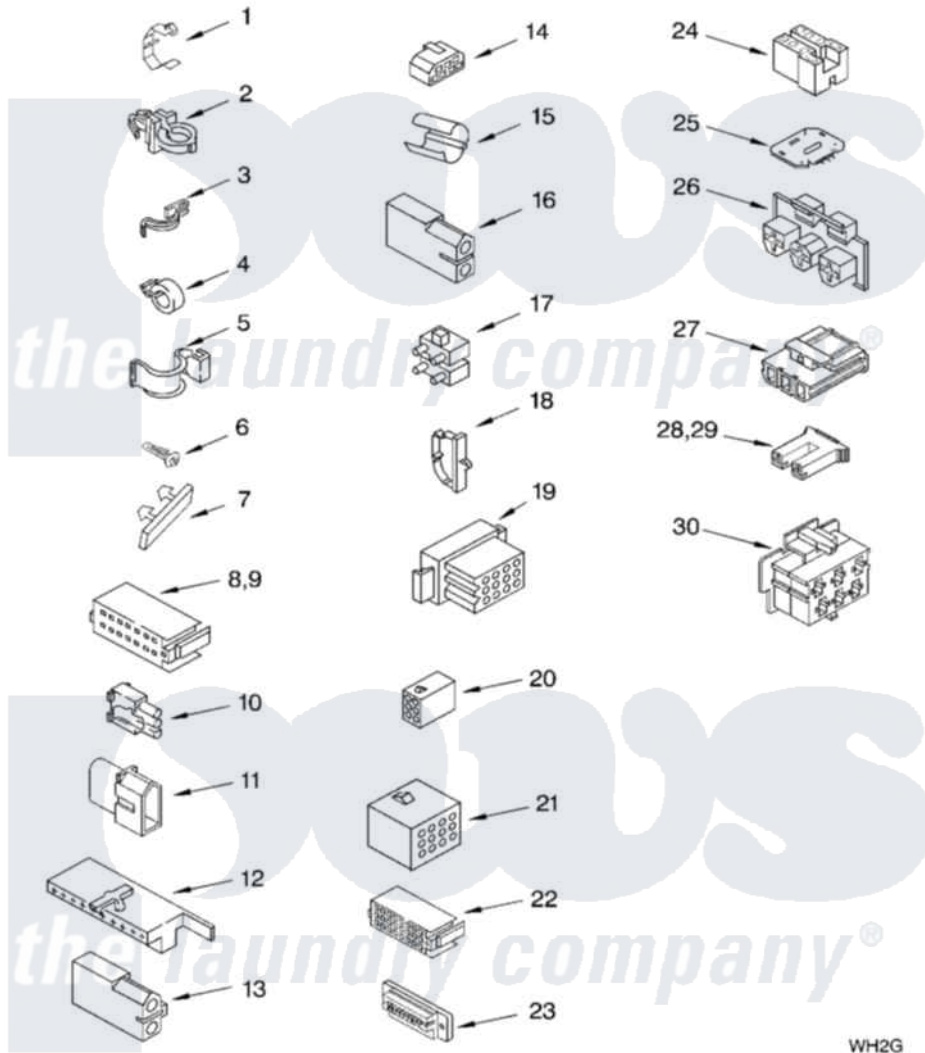


# Whirlpool 7MSAWX650MQ0 06 - WIRING HARNESS PARTS

## WIRING HARNESS PARTS

For Model: 7MSAWX650MQ0  
(Designer White)



8180115

9

WH2G

Whirlpool [Residential Whirlpool 7MSAWX650MQ0 Washer Parts](#) Parts Diagram 06 - WIRING HARNESS PARTS  
Click on the part number to view part

Item	Original Part Number	Replaced By	Status	Part Description
1	<a href="#">3349557</a>			Retainer, Harness
2	388498		Not Available	Clip, Harness
3	3347812	<a href="#">8528351</a>		Clip
4	3352501	<a href="#">8559320</a>		Restraint, Hose
5	<a href="#">90016</a>			Clip, Pressure Switch Hose
6	3390496	<a href="#">8281256</a>		Clip, Harness
7	<a href="#">389379</a>			Retainer, Side To Feature Panel
8	<a href="#">352090</a>			Timer, Block Disconnect
9	<a href="#">352089</a>			Timer, Block Disconnect
10	<a href="#">62889</a>			Receptacle, Terminal
11	<a href="#">353424</a>			Plug, Terminal
12	<a href="#">62505</a>			Block, Disconnect
13	3348075			Block, Disconnect (Motor 3 Speed) (Use Term. 94613 Or 94614)
14	<a href="#">3347243</a>			Block, Disconnect

15	<a href="#">63523</a>		Harness, Protector
16	<a href="#">717252</a>		Receptacle, Terminal
17	387566		Plug, Terminal (4-Way) (Power Cord) (Use M3 Screws)
18	<a href="#">3352944</a>		Clip, Harness
19	3390423	Not Available	Block, Disconnect (12-Way) (Timer) (Use Term. 94613)
20	3347730	Not Available	Receptacle, (6-Way) (Use Term. 94613)
21	388818		Plug, Terminal (12-Way) (Use Term. 94613 Or 94614)
22	3369366	Not Available	Timer, Block Disconnect (Black) (Amp) (Use Term. 3369365)
23	3349494		Connector, Etc
24	60687		Connector, Relay (Use Term. 308569)
25	3407125	<a href="#">3955728</a>	Control, Etc
26	3948617	<a href="#">2172937</a>	Connector
27	<a href="#">3360056</a>		Connector
28	<a href="#">3354925</a>		Block, Connector
29	<a href="#">3354926</a>		Block, Connector
30	3948615	Not Available	Connector (T.P.A.) (6-Circuit) (Temp. Switch) (Use Term. 3948619 OR 3948620.)

