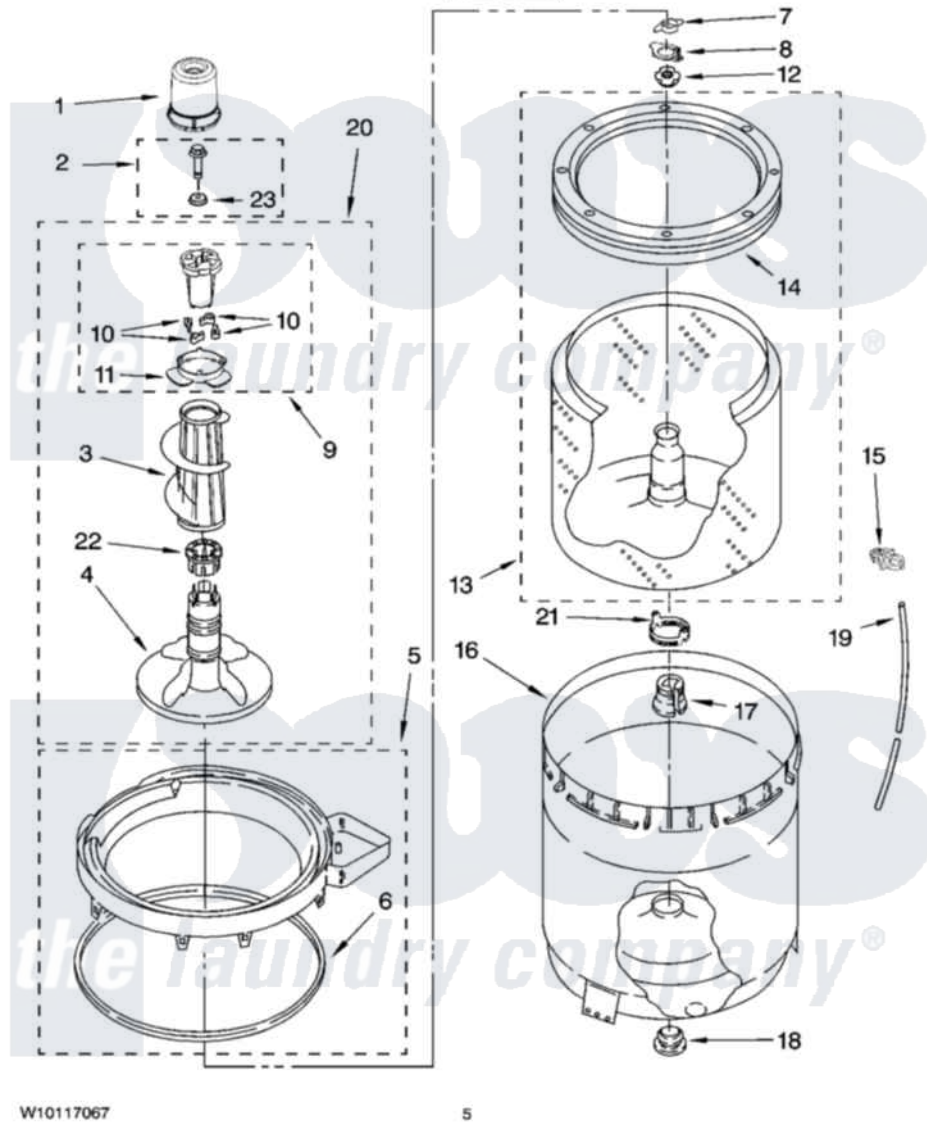


# Whirlpool 7MWD87600SM0 03 - AGITATOR, BASKET AND TUB PARTS

## AGITATOR, BASKET AND TUB PARTS

For Model: 7MWD87600SM0  
(White/Metallic)



W10117067

5

Whirlpool [Residential Whirlpool 7MWD87600SM0 Washer Parts](#) Parts Diagram 03 - AGITATOR, BASKET AND TUB PARTS

[Click on the part number to view part](#)

Item	Original Part Number	Replaced By	Status	Part Description
1	<a href="#">8533252</a>			Dispenser, Fabric Softener
2	<a href="#">358237</a>			Screw And Washer
3	389141	<a href="#">3360824</a>		Auger, Agitator
4	<a href="#">389386</a>			Agitator
5	8528150	<a href="#">W10445870</a>		Ring-Tub
6	<a href="#">3976308</a>			Gasket, Tub Ring
7	<a href="#">3354845</a>			Clip, Agitator
8	<a href="#">8543666</a>			Washer, Agitator
9	3363662	<a href="#">285748</a>		Cam-Agitator
10	3366877	<a href="#">80040</a>		Dog-Agitator
11	<a href="#">3363661</a>			Bearing, Driven Cam
12	<a href="#">21366</a>			Nut, Spanner
13	8526016	<a href="#">W10389328</a>		Clothes Container, Assembly
14	8519788	<a href="#">387240</a>		Ring, Balance
15	<a href="#">2219077</a>			Clip, Pressure Switch Hose
16	<a href="#">63849</a>			Strain Relief, Power Cord

17	<a href="#">389140</a>		Tub Block, Basket Drive
18	<a href="#">383727</a>		Gasket, Centerpodt
19	3347780	<a href="#">353244</a>	Hose, Pressure Switch
20	3347674	<a href="#">285727</a>	Agitator
21	<a href="#">8577198</a>		Filter, Lint
22	3350389	<a href="#">285587</a>	Washer
23	<a href="#">3949550</a>		Washer

