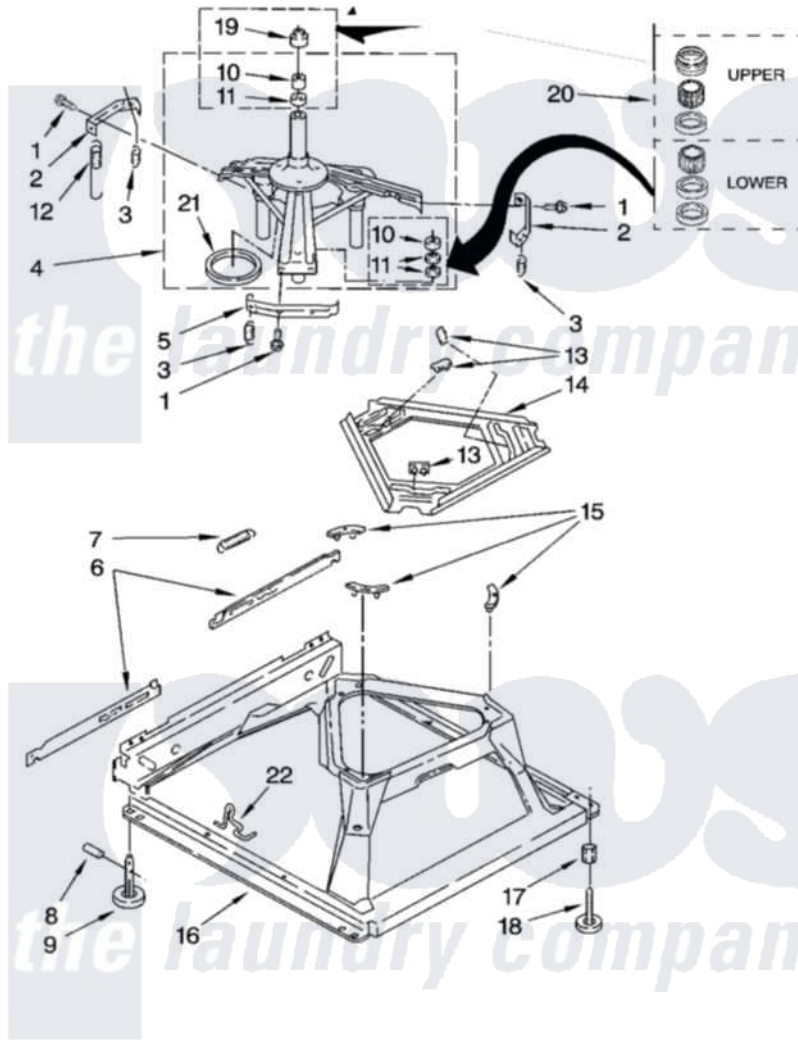


# Whirlpool 7MWD87600SM0 04 - MACHINE BASE PARTS

## MACHINE BASE PARTS

For Model: 7MWD87600SM0  
(White/Metallic)



W10117067

7

Whirlpool [Residential Whirlpool 7MWD87600SM0 Washer Parts](#) Parts Diagram 04 - MACHINE BASE PARTS  
Click on the part number to view part

| Item | Original Part Number    | Replaced By               | Status | Part Description         |
|------|-------------------------|---------------------------|--------|--------------------------|
| 1    | <a href="#">3400076</a> |                           |        | Screw, Bracket Mounting  |
| 2    | <a href="#">64067</a>   |                           |        | Bracket, Spring Outer    |
| 3    | <a href="#">63907</a>   |                           |        | Spring, Suspension       |
| 4    | 8575214                 | <a href="#">280184</a>    |        | Support                  |
| 5    | <a href="#">64065</a>   |                           |        | Bracket, Spring Outer    |
| 6    | <a href="#">63466</a>   |                           |        | Link, Leveling Mechanism |
| 7    | 62597                   | <a href="#">8316845</a>   |        | Spring                   |
| 8    | <a href="#">62837</a>   |                           |        | Pin, Knurled             |
| 9    | 62596                   | <a href="#">285244</a>    |        | Feet-Leveling            |
| 10   | <a href="#">8546455</a> |                           |        | Bearing, Centerpost      |
| 11   | 357409                  | <a href="#">359449</a>    |        | Seal, Agitator Shaft     |
| 12   | 388492                  | <a href="#">W10250667</a> |        | Spring, Counterweight    |
| 13   | 62568                   | <a href="#">285219</a>    |        | Pad                      |
| 14   | <a href="#">3946509</a> |                           |        | Plate, Suspension        |
| 15   | 3363660                 | <a href="#">285744</a>    |        | Pad                      |
| 16   | 3946512                 | <a href="#">285771</a>    |        | Base                     |

|    |                           |   |
|----|---------------------------|---|
| 17 | <a href="#">3359452</a>   | Nut, Lock   |
| 18 | <a href="#">W10001130</a> | Foot, Leveling  |
| 19 | <a href="#">8577376</a>   | Seal, Centerpost                                      |
| 20 | <a href="#">285203</a>    | Centerpost Bearing Kit                                |
| 21 | <a href="#">63134</a>     | Ring, Sound Deadening                                 |
| 22 | 63806                     | <a href="#">W10145155</a> Retainer, Suspension Spring |

