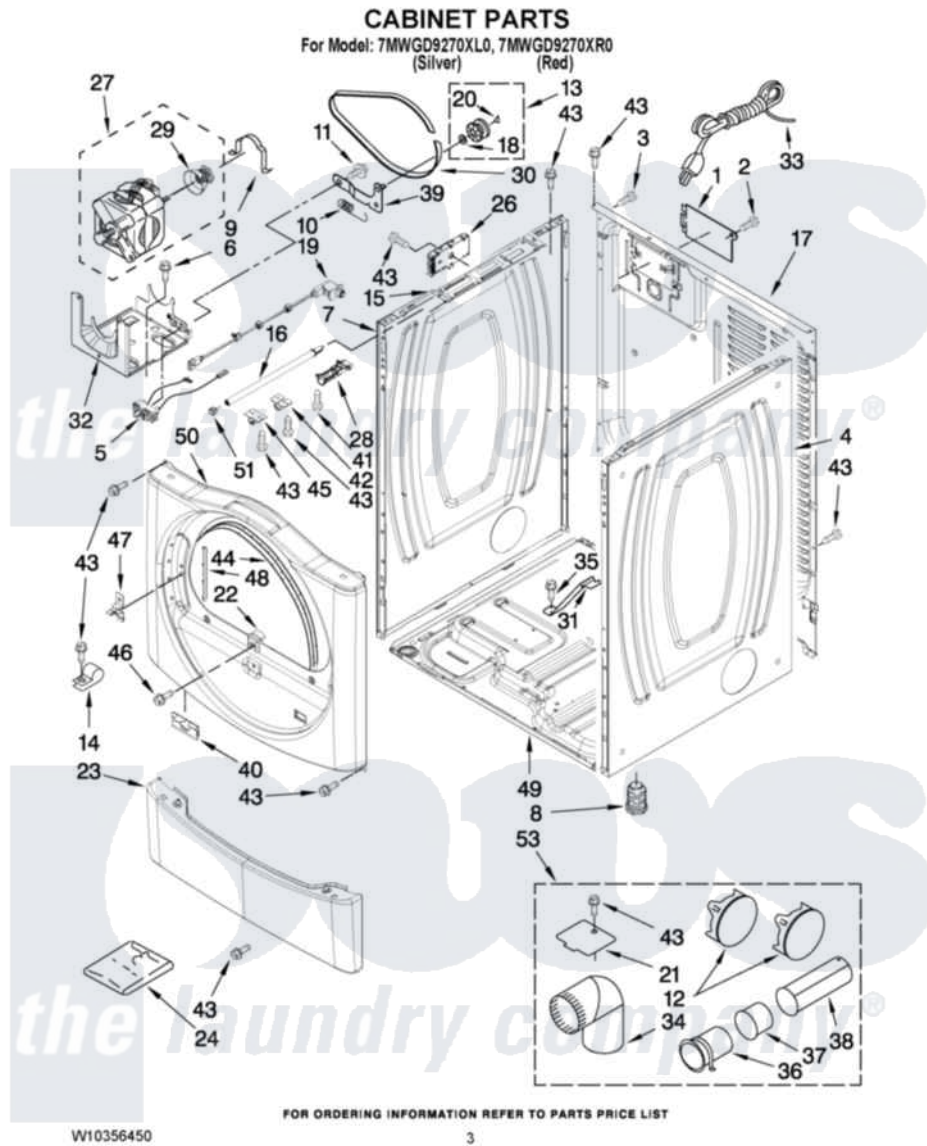


Whirlpool 7MWGD9270XR0 02 - CABINET PARTS



Whirlpool Residential Whirlpool 7MWGD9270XR0 Dryer Parts Parts Diagram 02 - CABINET PARTS
Click on the part number to view part

Item	Original Part Number	Replaced By	Status	Part Description
1	8317340			Cover, Terminal Block
2	3390814	90767		Screw, 8A X 3/8 HeX Washer Head Tapping
3	8533974	4331106		Screw, No.10-32 X 7/16
4	W10251219			Panel, Side
"	W10251217			Panel, Side
5	W10246525	W10314253		Switch, Assembly Broken Belt
6	343641	681414		Screw, 10AB X 1/2
7	W10251218			Panel, Side
"	W10251216			Panel, Side
8	3392100	49621		Feet-Leveling
NI	279810			Foot-Optional
9	660658			Clamp, Motor Mounting 343481 685441
10	3387374			Spring, Idler
11	3389420			Retainer-Idler 1/4-20 X 1/16
12	49252			Plug, Multivent

13	3388672	279640	Pulley-ldr
14	3978776		Bracket, Gas Pipe Switch
15	W10103443		Bracket, Control Pogo
16	W10103457		Pogo Bar Assembly
17	W10281297		Panel, Rear
18	W10121334		Washer, Thrust
19	W10318609		Switch, Assembly Door
20	W10121334		Washer, Thrust
21	8066115	3394331	Plate Cover
22	8580015		Ramp, Door
23	W10251210		Toe Panel
"	W10251209		Toe Panel
24	8572546		Odor Remover
26	W10286015	W10405846	Control-Elec
27	8538263	279787	Motor-Drve
28	W10101220		Housing Assembly
29	8578220		Pulley, Motor
30	3387610	661570	Belt
31	8529757		Bracket, Burner
32	W10242878		Bracket, Motor Mounting
33	3401401	3401402	Cord, Power
34	49026		4" - 90° Elbow
35	693995		Screw, Hex Head
36	8563747		Exhaust Pipe Medium Pipe
37	8563750		Exhaust Pipe
38	8563749		Exhaust Pipe
39	3388674	W10118756	Idler Bracket
40	8519459		Clip, Toe Panel
41	304392	489069	Xxscrew, 10-12 X 1/2
42	W10101183		Bushing-Sleeve
43	3390647	488729	Screw
44	3387242		Seal, Front Panel
45	W10307561	Not Available	BUSHING-SLEEVE (REAR)
46	3357011	308685	Side Trim)
47	8565122		Strike, Door
48	W10085230		Label, Hinge Hole Cover
49	8565046		(BROKEN BELT BASE, CABINET SWITCH)
50	W10251204		Front Panel
"	W10251203		Front Panel
51	W10011740		End Cap
53	W10331132		Dryer Exhaust Kit

the laundry company[®]