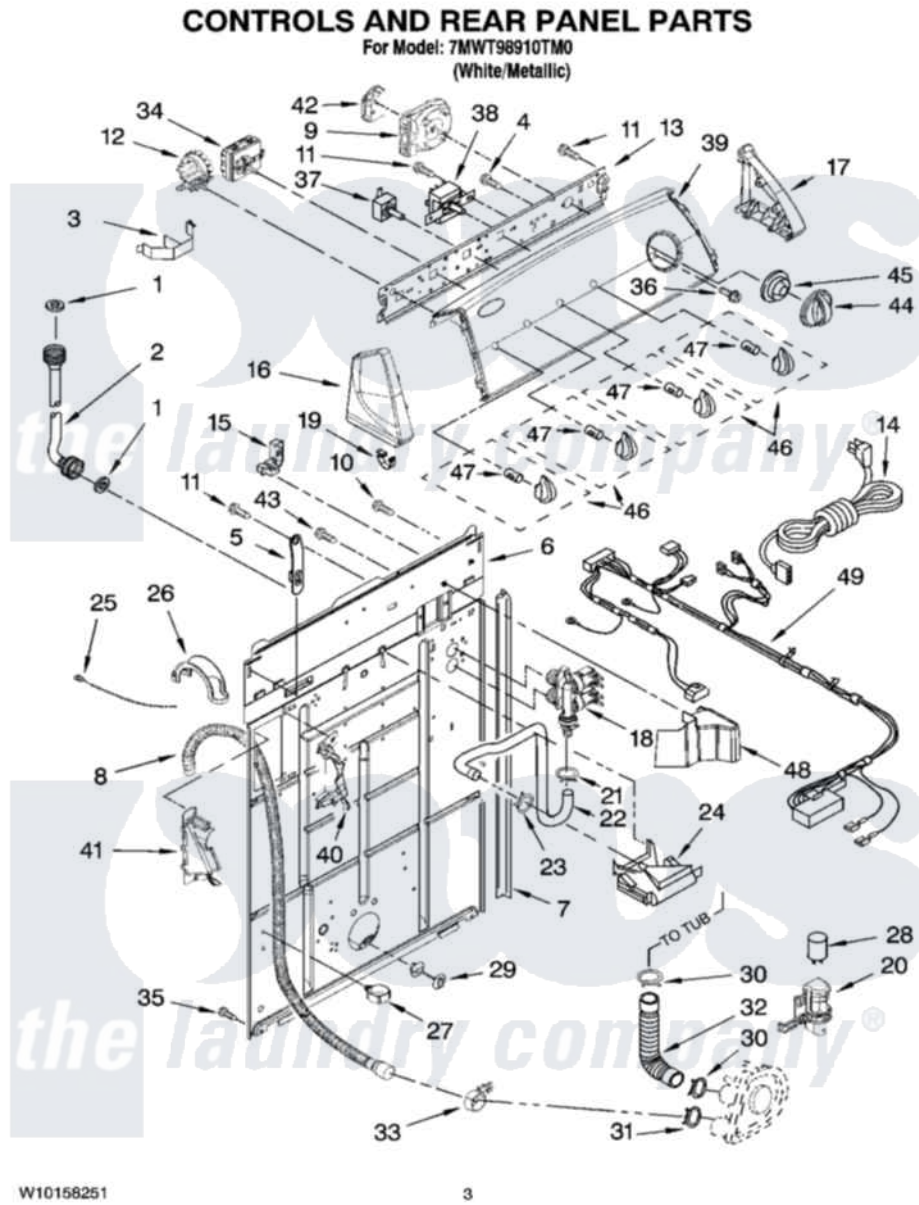


# Whirlpool 7MWT98910TM0 02 - CONTROLS AND REAR PANEL PARTS



Whirlpool [Residential Whirlpool 7MWT98910TM0 Washer Parts](#) Parts Diagram 02 - CONTROLS AND REAR PANEL PARTS

[Click on the part number to view part](#)

Item	Original Part Number	Replaced By	Status	Part Description
1	3976300	<a href="#">16123</a>		Washer Inlet-Hose Miscellaneous Parts Must be Ordered Separately.
2	8571377	<a href="#">89503</a>		Hose-Inlet
"	8571378	<a href="#">89503</a>		Hose-Inlet
3	<a href="#">8055003</a>			Clip, Harness And Pressure Switch
4	<a href="#">3400073</a>			Screw, Ground
5	<a href="#">8568314</a>			Strap, Console
6	<a href="#">8318015</a>			Panel, Rear
7	<a href="#">62747</a>			Pad, Rear Panel
8	W10122138	<a href="#">W10096921</a>		Drain Hose Assembly
9	<a href="#">8577787</a>			Timer, Control
10	<a href="#">3351614</a>			Screw, Gearcase Cover Mounting
11	<a href="#">90767</a>			Screw, 8A X 3/8 HeX Washer Head Tapping
12	8577843	<a href="#">W10337781</a>		Switch-WL

13	<a href="#">8566003</a>		Bracket, Control
14	<a href="#">W10115689</a>		Cord, Power
15	3952821	<a href="#">285777</a>	Relief-Str
16	<a href="#">8565957</a>		Cap, End
17	<a href="#">8565954</a>		Cap, End
18	3979347	<a href="#">3979346</a>	Valve, Water Inlet And Thermistor Assembly
19	<a href="#">8312709</a>		Clip-Console
20	<a href="#">8318046</a>		Clip, Capacitor
21	301958	<a href="#">596669</a>	Clamp, Manifold
22	8317974	<a href="#">8317926</a>	Hose, Vacuum Break
23	370450	<a href="#">596669</a>	Clamp, Manifold
24	387606	<a href="#">3360977</a>	Break-Vac
25	3347868	<a href="#">W10339879</a>	Tie, Cable
26	<a href="#">8577378</a>		U-Bend, Drain Hose
27	<a href="#">8541667</a>		Clamp, Hose
28	<a href="#">8572717</a>		Capacitor, Motor Start
29	<a href="#">8519200</a>		Support, Rear Panel
30	3363366	<a href="#">616099</a>	Clamp
31	8317496	<a href="#">285655</a>	Clamp, Hose
32	3951449	<a href="#">285871</a>	Hose
33	<a href="#">8541668</a>		Clamp, Hose
34	W10113058	<a href="#">W10184148</a>	Switch, Water Temperature
35	62863	<a href="#">3390631</a>	Screw, 10-16 X 3/8
36	<a href="#">3400818</a>		Screw, Timer Mounting
37	3949187	<a href="#">W10168262</a>	Switch, Rotary
38	<a href="#">8578537</a>		Switch, Rotary
39	<a href="#">W10115438</a>		Panel, Console
40	<a href="#">8541669</a>		Bucket, Drain Hose
41	<a href="#">8541658</a>		Bucket, Drain Hose
42	<a href="#">8578411</a>		Circuit Board, Agitation Delay
43	<a href="#">9740848</a>		Screw, Mixing Valve Mounting
44	<a href="#">8566022</a>		Knob, Timer
45	<a href="#">8566018</a>		Dial,
46	<a href="#">8565944</a>		Knob, Control
47	<a href="#">8536939</a>		Clip, Knob
48	<a href="#">8314879</a>		Shield, Inlet Valve
49	<a href="#">W10152823</a>		Harness, Wiring

*the laundry company*<sup>®</sup>