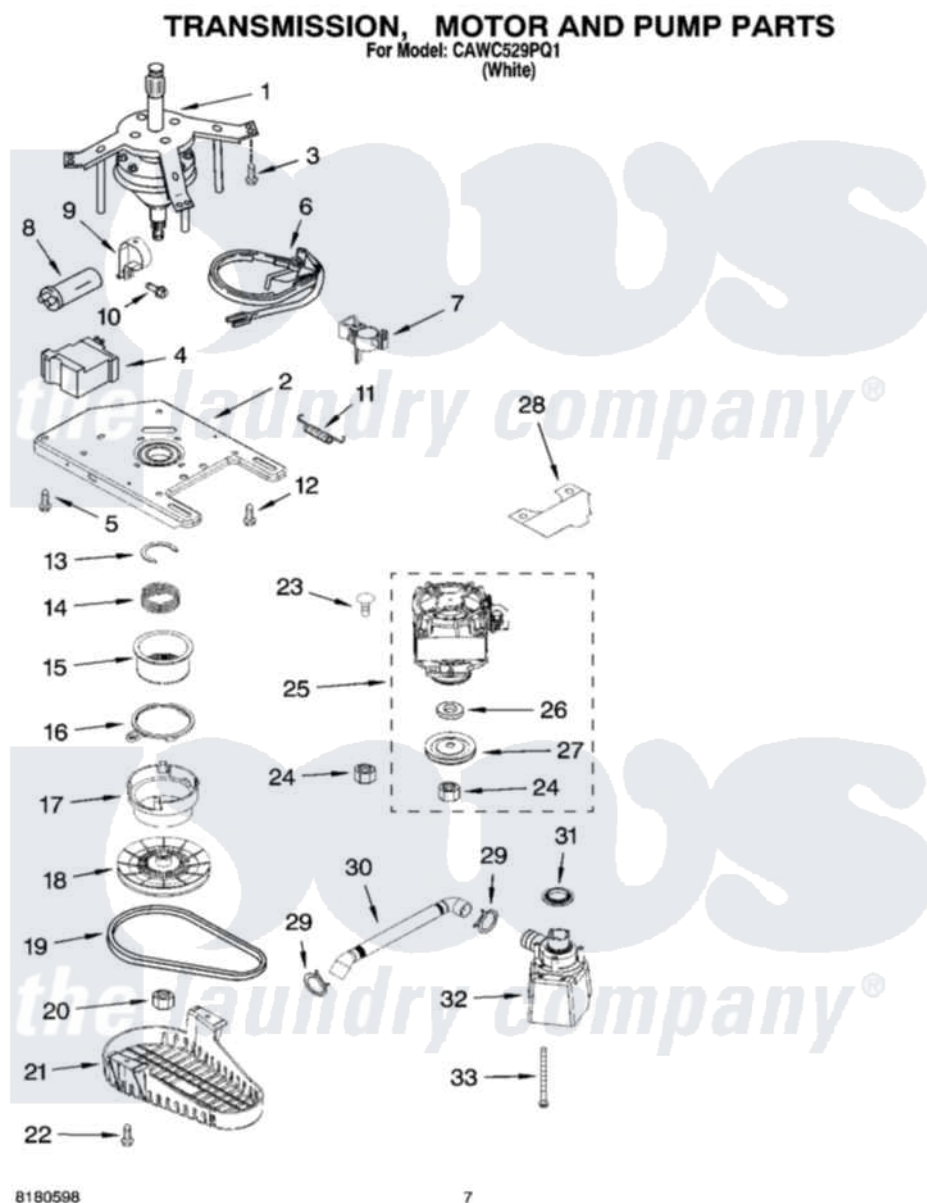


# Whirlpool CAWC529PQ1 04 - TRANSMISSION, MOTOR AND PUMP PARTS



Whirlpool Residential Whirlpool CAWC529PQ1 Washer Parts Parts Diagram 04 - TRANSMISSION, MOTOR AND PUMP PARTS

[Click on the part number to view part](#)

Item	Original Part Number	Replaced By	Status	Part Description
1	<a href="#">326042225</a>			Gearcase And Tub Support Assembly
2	<a href="#">326042919</a>			Motor Plate And Bearing Assembly
3	<a href="#">326016091</a>			Screw, Tub Support
4	<a href="#">326042226</a>			Brake Actuator
5	8182292		Not Available	Screw, Brake Actuator (2)
6	326038821	<a href="#">280121</a>		Brake-Bd
7	<a href="#">326016785</a>			Support, Brake Band
8	<a href="#">326032990</a>			Capacitor
9	<a href="#">326036955</a>			Clamp, Capacitor
10	8182295	<a href="#">3934148</a>		Screw, 10-16 X 1/2
11	326044509	<a href="#">280121</a>		Brake-Bd
12	<a href="#">8182299</a>			Screw, Gearcase To Motor Plate
13	<a href="#">8182268</a>			Clip

14	<a href="#">8182269</a>		Spring, Splutch
15	<a href="#">8182263</a>		Slider, Splutch
16	<a href="#">8182265</a>		Cam Ring, Splutch
17	<a href="#">8182266</a>		Cam, Splutch
18	<a href="#">8182264</a>		Pulley, Splutch
19	<a href="#">8182226</a>		Drive Belt
20	<a href="#">8182297</a>		Nut
21	<a href="#">326044746</a>		Shield, Pulley
22	8182295	<a href="#">3934148</a>	Screw, 10-16 X 1/2
23	<a href="#">8182304</a>		Bolt, Motor Mounting
24	326020253	<a href="#">90984</a>	Nut, 5/16-18
25	<a href="#">326032993</a>		Motor, Main Drive
26	<a href="#">8182305</a>		Washer
27	<a href="#">8182281</a>		Pulley, Motor
28	326033905	Not Available	Shield, Motor
29	326031815	<a href="#">285655</a>	Clamp, Hose
30	<a href="#">326036549</a>		Hose, Pump To Tub
31	<a href="#">326031821</a>		Seal, Pump To Tub
32	<a href="#">326032991</a>		Pump
33	<a href="#">326029005</a>		Screw, Pump

