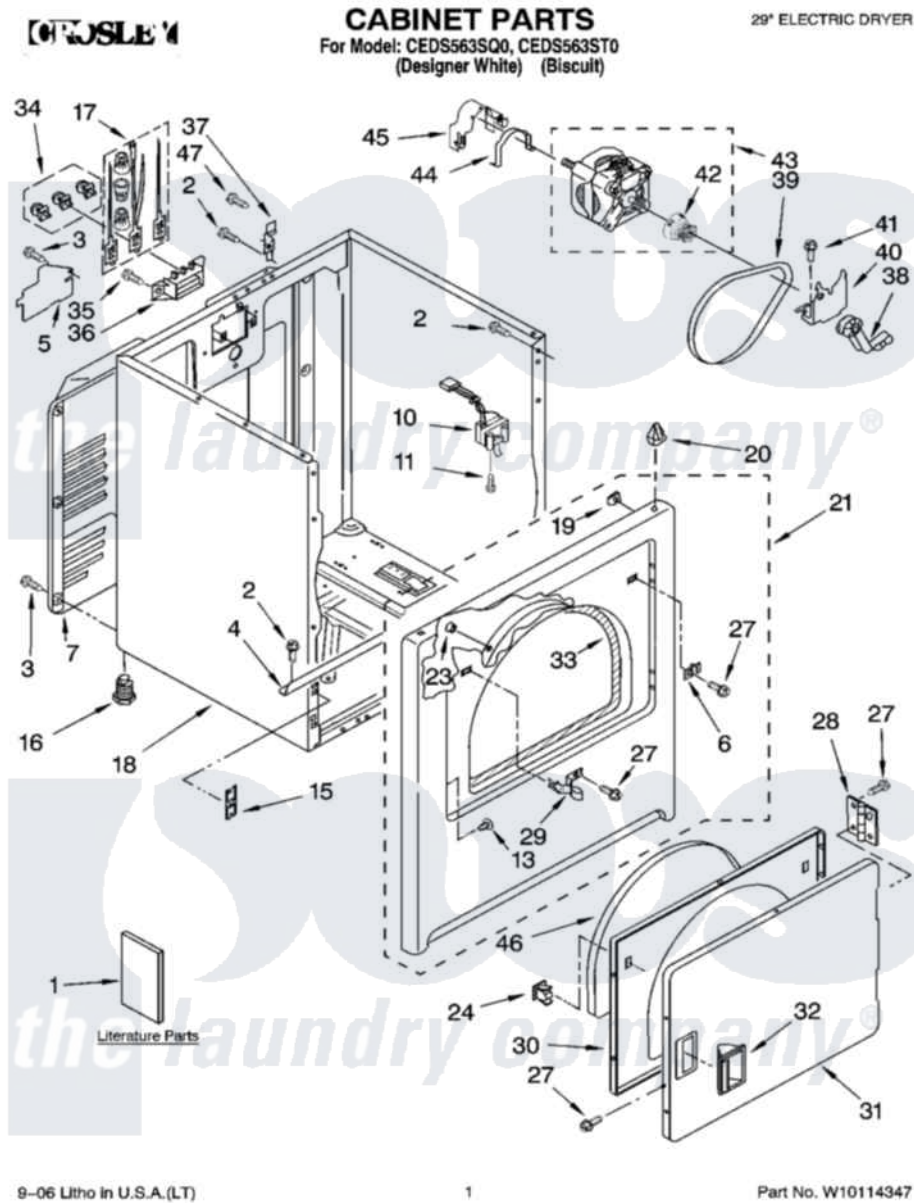


Whirlpool CEDS563SQ0 01 - CABINET PARTS



9-06 Litho in U.S.A.(LT)

1

Part No. W10114347

Whirlpool [Residential Whirlpool CEDS563SQ0 Dryer Parts](#) Parts Diagram 01 - CABINET PARTS
 Click on the part number to view part

Item	Original Part Number	Replaced By	Status	Part Description
1	8577187		Not Available	Instructions, Installation
"	8577364		Not Available	Sheet, Cycle Feature
"	8578544		Not Available	Guide, Use & Care
"	3979703		Not Available	Wiring Diagram
"	BLANK		Not Available	Following May Be Purchased
"	BLANK		Not Available	DO-IT-YOURSELF REPAIR MANUALS
"	677818		Not Available	Manual, Do-It- Yourself Repair (Dryer)
2	343641	681414		Screw, 10AB X 1/2
3	693995			Screw, Hex Head
4	8541400			Bracket, Cabinet
5	3396795			Cover, Terminal Block
6	3403630			Plug, Strike Hole
"	3403632			Plug, Strike Hole
7	3396805	280043		Panel-Rear
10	3406107			Door Switch Assembly

11	697773	3395530	Screw
13	3404413		Plug, Hinge Hole
"	3404415		Plug, Hinge Hole
15	3394083		Clip, Front Panel
16	3392100	49621	Feet-Leveling
"	279810		Foot-Optional
17	279318		Terminal Tinned And Brass Panel
18	8530603	8533643	Cabinet
"	8530606	3977306	Cabinet
19	98234		Clip, U-Bend
20	690363	18776	Lock, Front Top
21	3403444	279852	Panel
"	3403436	Not Available	Panel, Front (Biscuit)
23	685203	279220	Clip
24	3389441		Door Catch Assembly
27	342055	488627	Screw
28	3405514	W10362431	Hinge And Pin Assembly
29	3403431		Strike, Panel
30	3402341		Door, Inner
31	3402335		Door, Front
"	3402337		Door, Front
32	3405184		Handle, Door
"	3405189		Handle, Door
33	3406129		Seal And Bearing Assembly
34	279393		Terminal Block Screw Kit
35	3393008	308685	Side Trim)
36	3397659		Block, Terminal
37	8066217		Hinge, Top
38	691366		Idler And Pulley Assembly
39	8066065	341241	Belt
40	348780		Base, Motor
41	3400500		Bolt, 3405245 5/16-18 X 3/4
42	8066184		Pulley, Motor
43	8066206	279827	Motor-Drve
44	660658		Clamp, Motor Mounting 343481 685441
45	3404162		Clamp, Motor
46	3405246		Seal, Door Push-To-Start
47	697776	4331106	Screw, No.10-32 X 7/16