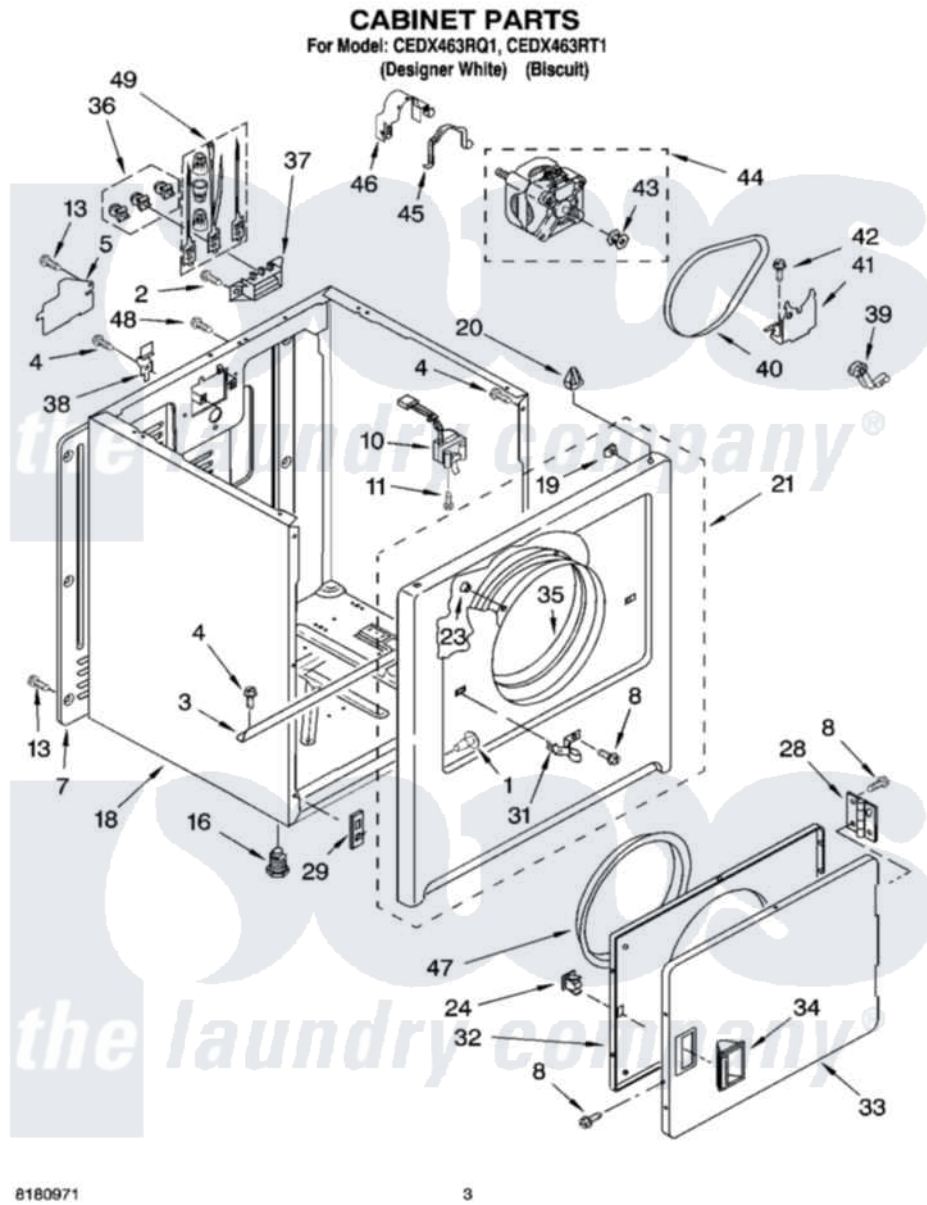


Whirlpool CEDX463RT1 02 - CABINET PARTS



8180971

3

Whirlpool Residential Whirlpool CEDX463RT1 Dryer Parts Parts Diagram 02 - CABINET PARTS
Click on the part number to view part

Item	Original Part Number	Replaced By	Status	Part Description
1	3404413			Plug, Hinge Hole
"	3404415			Plug, Hinge Hole
2	3393008	308685		Side Trim)
3	8541400			Bracket, Cabinet
4	343641	681414		Screw, 10AB X 1/2
5	3396795			Cover, Terminal Block
7	3396807	280040		Panel-Rear
8	342055	488627		Screw
10	3406104	3406105		Door Switch Assembly
11	697773	3395530		Screw
13	693995			Screw, Hex Head
16	3392100	49621		Feet-Leveling
18	8530603	8533643		Cabinet
"	8530606	3977306		Cabinet
19	98234			Clip, U-Bend
20	690363	18776		Lock, Front Top

21	3403571	279844	Panel
"	3403576	279931	Panel
23	685203	279220	Clip
24	690081	279570	Latch
28	3405514	W10362431	Hinge And Pin Assembly
29	3394083		Clip, Front Panel
31	696144	279570	Latch
32	3403371		Door, Inner
33	3403361		Door Front
"	3403363		Door, Front
34	3405184		Handle, Door
"	3405189		Handle, Door
35	8066124	279264	Air Channel Box
36	279393		Terminal Block Screw Kit
37	3397659		Block, Terminal
38	238088	8066217	Hinge, Top
39	691366		Idler And Pulley Assembly
40	8066065	341241	Belt
41	348780		Base, Motor
42	3400500		Bolt, 3405245 5/16-18 X 3/4
43	3394341	W10299847	Pulley-Motor
44	8066206	279827	Motor-Drve
45	660658		Clamp, Motor Mounting 343481 685441
46	3404162		Clamp, Motor
47	3405245		5/16-18 X 3/4
48	697776	4331106	Screw, No.10-32 X 7/16
49	279318		Terminal Tinned And Brass Panel

the laundry company[®]

the laundry company[®]