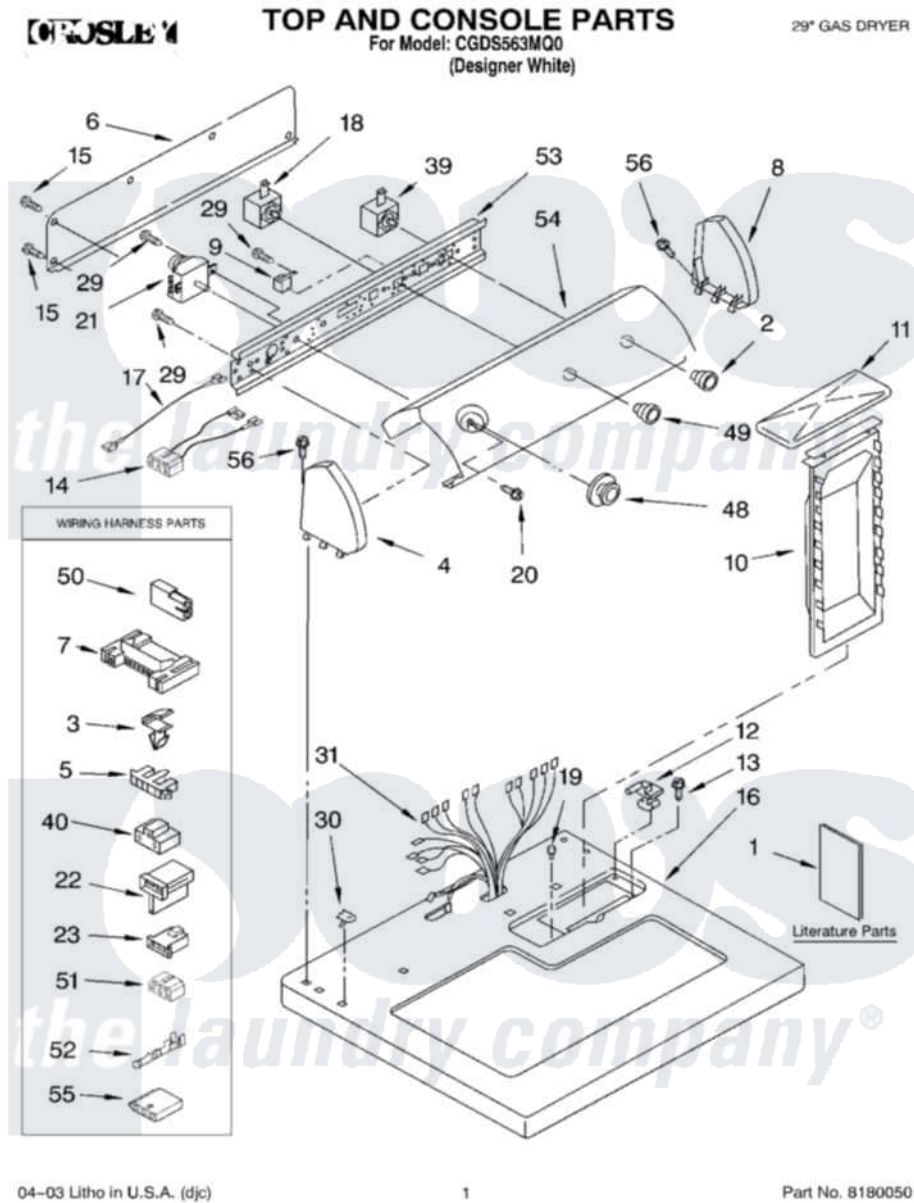


# Whirlpool CGDS563MQ0 01 - TOP AND CONSOLE PARTS



04-03 Litho in U.S.A. (djc)

1

Part No. 8180050

Whirlpool [Residential Whirlpool CGDS563MQ0 Dryer Parts](#) Parts Diagram 01 - TOP AND CONSOLE PARTS  
 Click on the part number to view part

Item	Original Part Number	Replaced By	Status	Part Description
1	LIT8535915		Not Available	Literature Parts (Instructions, Installation)
"	LIT8535909		Not Available	Literature Parts (Sheet, Cycle Feature)
"	LIT8535912		Not Available	Literature Parts (Guide, Use & Care)
"	LIT3979703		Not Available	Literature Parts (Label, Wiring Diagram)
"	N/A		Not Available	Following May Be Purchased DO-IT-YOURSELF REPAIR MANUALS
"	LIT677818	<a href="#">677818L</a>		Diy
2	3406133	<a href="#">3957800</a>		Knob, Push-To-Start
3	<a href="#">3394427</a>			Clip-Harness
4	8274437	<a href="#">279960</a>		Endcap
5	<a href="#">3397269</a>			Connector, Timer
6	<a href="#">8274261</a>			Do-It-Yourself Repair Manuals
7	<a href="#">3395683</a>			Receptacle, Multi-Terminal
8	8274434	<a href="#">279960</a>		Endcap

9	<a href="#">694419</a>		Mini-Buzzer
10	<a href="#">349639</a>		HAndle And Lint Screen Assembly
11	<a href="#">8283378</a>		Cover, Lint Screen
12	3978605	<a href="#">W10044470</a>	Hinge, RH
"	<a href="#">3978606</a>		Hinge, Lint Lid
13	688983	<a href="#">487240</a>	Screw, For Mtg. Service Capacitor
14	3396028	<a href="#">8283286</a>	Wire-Jumper
15	<a href="#">693995</a>		Screw, Hex Head
16	8271390	<a href="#">8521918</a>	Top
17	<a href="#">3401668</a>		Wire, Jumper
"	<a href="#">3401671</a>		Wire, Jumper
18	<a href="#">3399638</a>		Switch, Temperature
19	297535	<a href="#">17258</a>	Bumper
20	<a href="#">3400859</a>		Screw, Grounding
21	<a href="#">8299766</a>		Timer Assembly
22	<a href="#">3403499</a>		Connector, 2-Postion
23	<a href="#">3403498</a>		Connector, 3-Position
29	3390646	<a href="#">W10139210</a>	Screw, 8-18 X 5/16
30	<a href="#">357213</a>		Nut, Push-In
31	<a href="#">8299878</a>		Harness, Wiring
39	<a href="#">3398094</a>		Switch, Push To Start
40	<a href="#">3401144</a>		Connector
48	8283182	<a href="#">3957746</a>	Knob
49	3950759	<a href="#">3957796</a>	Knob, Control
50	<a href="#">717252</a>		Receptacle, Terminal
51	<a href="#">3347243</a>		Block, Disconnect
52	<a href="#">94614</a>		Terminal
53	<a href="#">8271418</a>		Bracket, Control
54	<a href="#">3977937</a>		Panel, Control
55	<a href="#">3936144</a>		Do-It-Yourself Repair Manuals
56	<a href="#">388326</a>		Screw, 8-18 X 1.25
"	N/A	Not Available	ACCESSORY PARTS
"	279948	<a href="#">4392065</a>	Kit, Dryer Repair
"	<a href="#">8522199</a>		Accessory Parts
"	<a href="#">346764</a>		Kit, Hold Down
"	<a href="#">3404351</a>		Accessory Parts
"	<a href="#">72017</a>		Paint, Touch-Up
"	<a href="#">350930</a>		Paint, Pressurized Spray B
"	<a href="#">350938</a>		Paint, Pressurized Spray B
"	<a href="#">799344</a>		Paint, Touch-Up )

*the laundry company*<sup>®</sup>