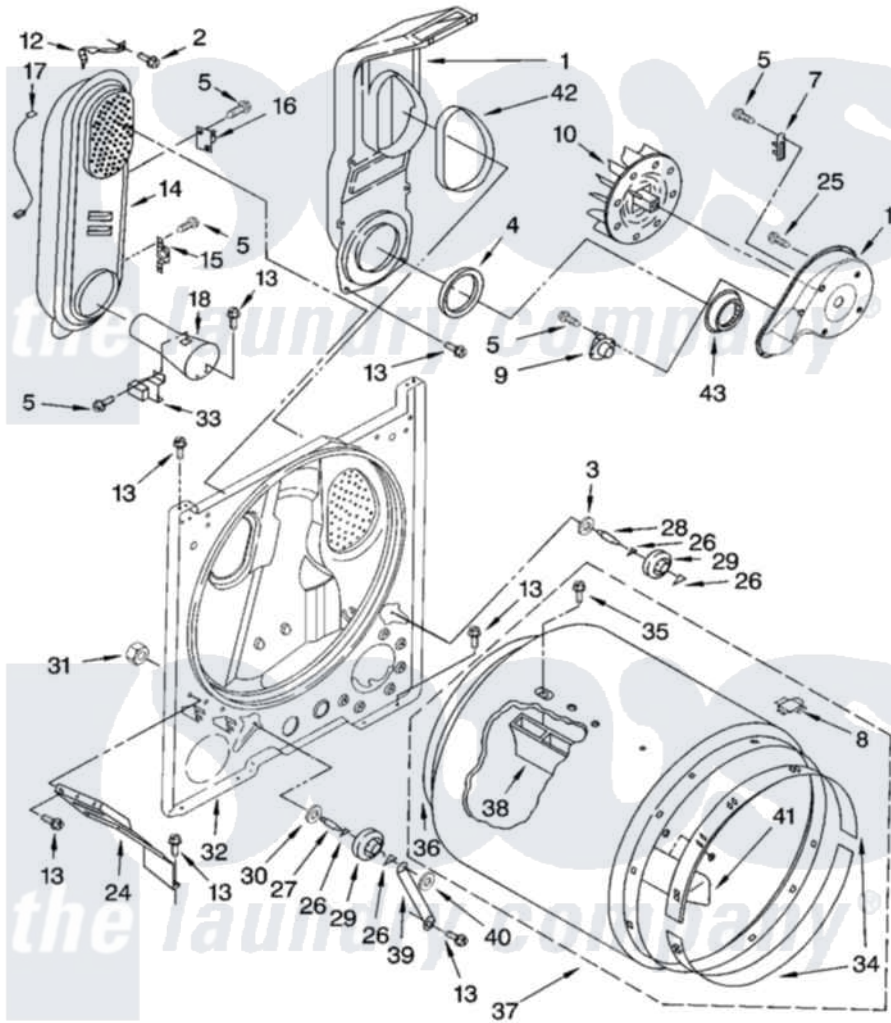


# Whirlpool CGDS563SQ0 03 - BULKHEAD PARTS

## BULKHEAD PARTS

For Model: CGDS563SQ0, CGDS563ST0  
(White) (Biscuit)



W10114512

5

Whirlpool [Residential Whirlpool CGDS563SQ0 Dryer Parts](#) Parts Diagram 03 - BULKHEAD PARTS  
Click on the part number to view part

Item	Original Part Number	Replaced By	Status	Part Description
1	<a href="#">348368</a>			Lint Chute Assembly
2	<a href="#">489463</a>			Screw, 8-18 X 1/16
3	<a href="#">3388703</a>			Washer, Support
4	<a href="#">347139</a>			Seal, Lint Chute
5	<a href="#">90767</a>			Screw, 8A X 3/8 HeX Washer Head Tapping
7	<a href="#">3392519</a>			Thermal Limiter
8	<a href="#">8066086</a>			Plug, Drum Hole
9	<a href="#">3387134</a>			Thermostat, Internal-Bias
10	<a href="#">694089</a>			Wheel, Blower
11	<a href="#">8577230</a>			Housing, Blower
12	3398161			CLIP
13	343641	<a href="#">681414</a>		Screw, 10AB X 1/2
14	8530285	<a href="#">279980</a>		Box
15	<a href="#">3403140</a>			Thermostat, High-Limit 205F
16	<a href="#">280010</a>			Kit, Thermal Cut-Off
17	<a href="#">3401707</a>			Jumper, Tco-High Limit

18	<a href="#">8066049</a>		Funnel, Burner Light
24	<a href="#">3406022</a>		Bracket, Bulkhead
25	3390647	<a href="#">488729</a>	Screw
26	<a href="#">690997</a>		Washer, Thrust
27	3399506	<a href="#">W10359270</a>	Shaft, Drum Roller Threads
28	3399507	<a href="#">W10359269</a>	Shaft, Drum Roller Threads
29	3397590	<a href="#">349241T</a>	Support
30	<a href="#">348197</a>		Washer, Support
31	<a href="#">3359452</a>		Nut, Lock
32	<a href="#">3403410</a>		Bulkhead
33	<a href="#">338906</a>		Radiant, Sensor
34	692526	<a href="#">279441</a>	BeaRng-Rng
35	<a href="#">W10109200</a>		Screw, Baffle Mounting
36	3406130	<a href="#">279857</a>	Seal
37	<a href="#">695587</a>		Drum Assembly
38	<a href="#">692490</a>		Baffle, Drum
39	<a href="#">3976434</a>		Bracket, Support Shaft
40	<a href="#">90296</a>		Nut, Push On
41	<a href="#">3403636</a>		Baffle, Drum
42	<a href="#">339956</a>		Seal, Air Duct To Bulkhead
43	<a href="#">696302</a>		Shield, Exhaust

