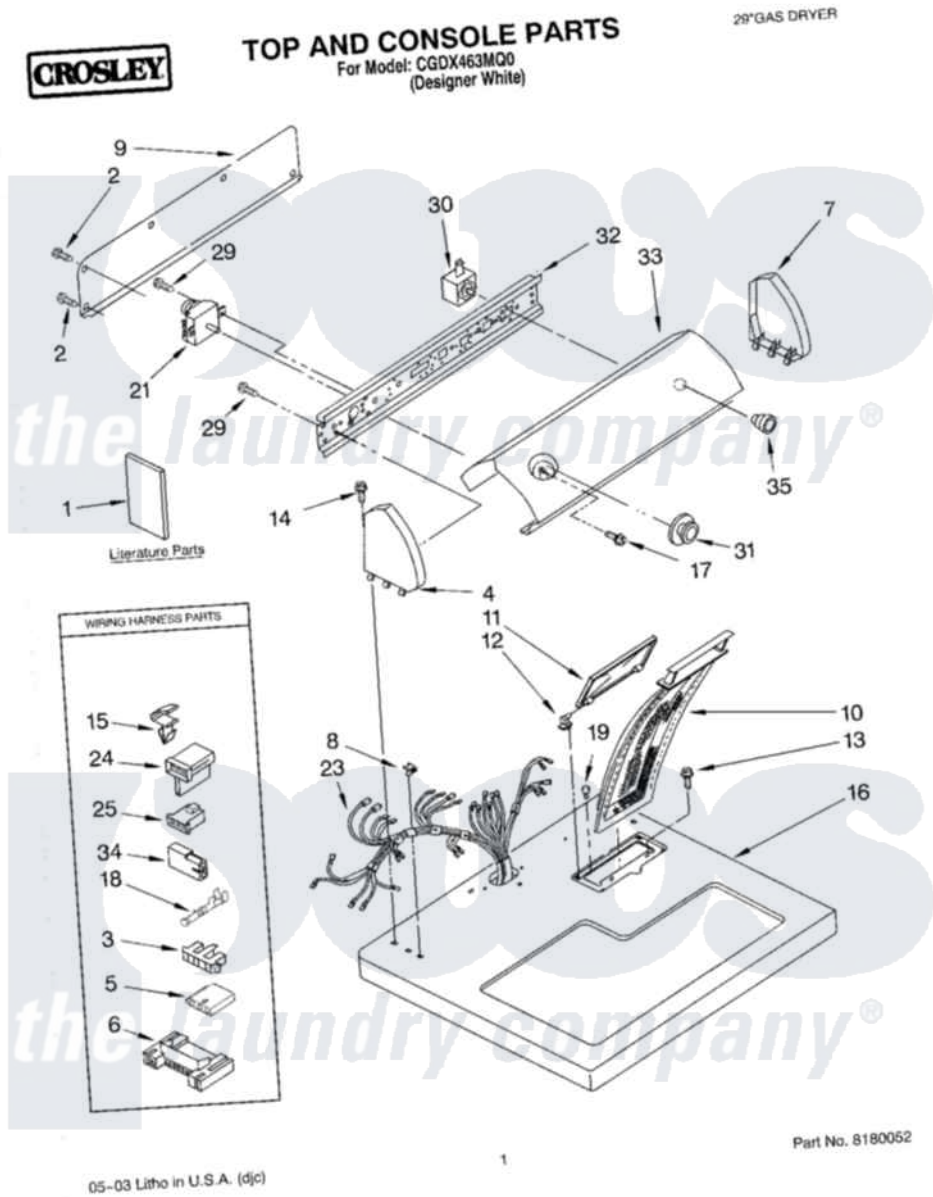


Whirlpool CGDX463MQ0 01 - TOP AND CONSOLE PARTS



Whirlpool Residential Whirlpool CGDX463MQ0 Dryer Parts Parts Diagram 01 - TOP AND CONSOLE PARTS
 Click on the part number to view part

| Item | Original Part Number | Replaced By | Status | Part Description |
|------|-------------------------|-------------------------|---------------|---|
| 1 | LIT8535912 | | Not Available | Literature Parts (Guide, Use & Care) |
| " | LIT8535909 | | Not Available | Literature Parts (Sheet, Cycle Feature) |
| " | LIT8535915 | | Not Available | Literature Parts (Instructions, Installation) |
| " | LIT8528187 | | Not Available | Literature Parts (Wiring Diagram) |
| " | N/A | | Not Available | Following May Be Purchased |
| " | N/A | | Not Available | DO-IT-YOURSELF REPAIR MANUALS |
| " | LIT677818 | 677818L | | Diy |
| 2 | 693995 | | | Screw, Hex Head |
| 3 | 3397269 | | | Connector, Timer |
| 4 | 8274437 | 279960 | | Endcap |
| 5 | 3936144 | | | Do-It-Yourself Repair Manuals |
| 6 | 3395683 | | | Receptacle, Multi-Terminal |
| 7 | 8274434 | 279960 | | Endcap |

| | | | |
|----|-------------------------|---------------------------|-----------------------------------|
| 8 | 357213 | | Nut, Push-In |
| 9 | 8274261 | | Do-It-Yourself Repair Manuals |
| 10 | 339392 | | Screen, Lint |
| 11 | 8283378 | | Cover, Lint Screen |
| 12 | 3978605 | W10044470 | Hinge, RH |
| " | 3978606 | | Hinge, Lint Lid |
| 13 | 688983 | 487240 | Screw, For Mtg. Service Capacitor |
| 14 | 388326 | | Screw, 8-18 X 1.25 |
| 15 | 3394427 | | Clip-Harness |
| 16 | 8271390 | 8521918 | Top |
| 17 | 3400859 | | Screw, Grounding |
| 18 | 94614 | | Terminal |
| 19 | 297535 | 17258 | Bumper |
| 21 | 8299764 | | Timer Assembly, 60 Hz |
| 23 | 8299876 | | Harness, Wiring |
| 24 | 3403499 | | Connector, 2-Position |
| 25 | 3403498 | | Connector, 3-Position |
| 29 | 3390646 | W10139210 | Screw, 8-18 X 5/16 |
| 30 | 3977456 | | Switch, Push-To-Start |
| 31 | 8283182 | 3957746 | Knob |
| 32 | 8271418 | | Bracket, Control |
| 33 | 3977936 | | Panel, Control |
| 34 | 717252 | | Receptacle, Terminal |
| 35 | 3406133 | 3957800 | Knob, Push-To-Start |
| " | N/A | Not Available | ACCESSORY PARTS |
| " | 279948 | 4392065 | Kit, Dryer Repair |
| " | 689790 | | Dry Rack |
| " | 8522199 | | Accessory Parts |
| " | 346764 | | Kit, Hold Down |
| " | 72017 | | Paint, Touch-Up |
| " | 350930 | | Paint, Pressurized Spray B |
| " | 350938 | | Paint, Pressurized Spray B |
| " | 799344 | | Paint, Touch-Up) |

