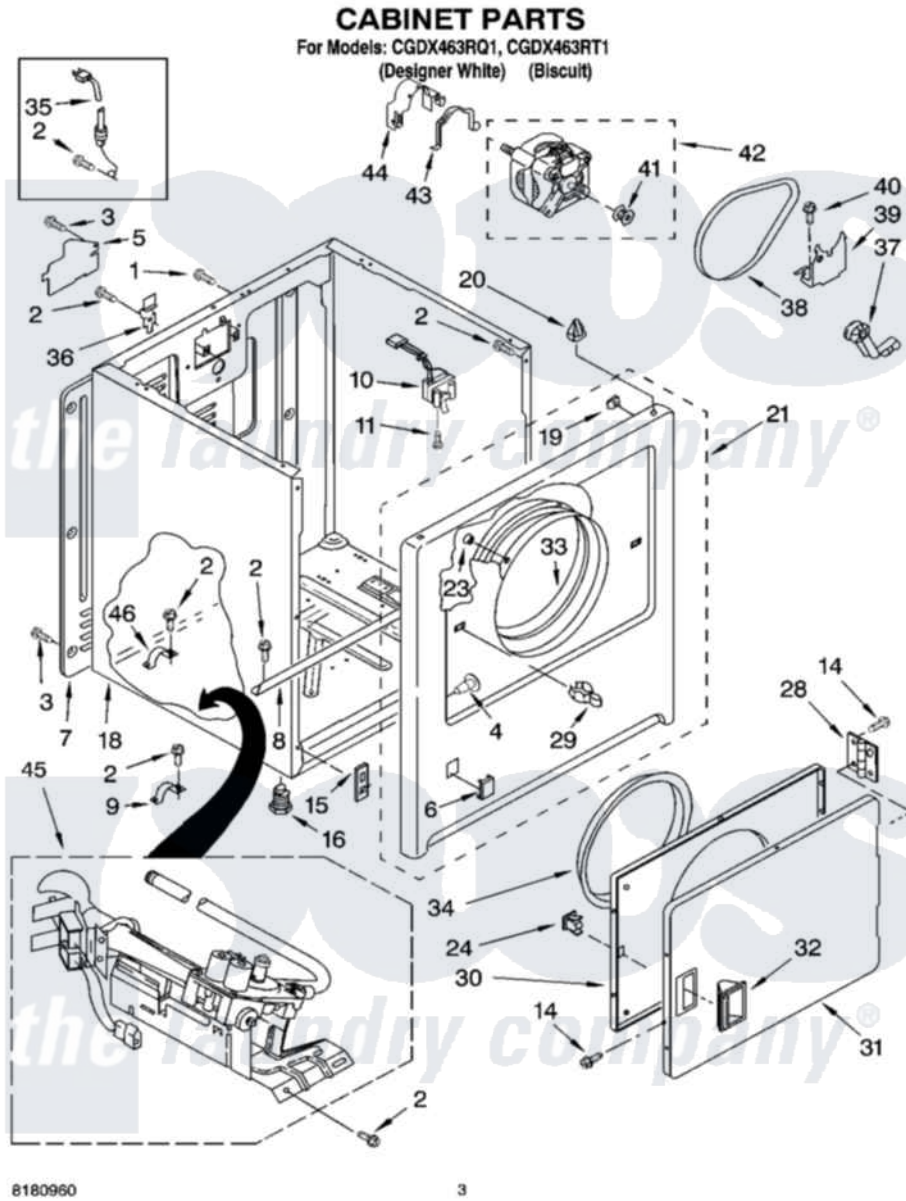


Whirlpool CGDX463RT1 02 - CABINET PARTS



8180960

3

Whirlpool Residential Whirlpool CGDX463RT1 Dryer Parts Parts Diagram 02 - CABINET PARTS
 Click on the part number to view part

Item	Original Part Number	Replaced By	Status	Part Description
1	697776	4331106		Screw, No.10-32 X 7/16
2	343641	681414		Screw, 10AB X 1/2
3	693995			Screw, Hex Head
4	3404413			Plug, Hinge Hole
"	3404415			Plug, Hinge Hole
5	3396795			Cover, Terminal Block
6	3394975			Plug, Front Panel
"	3394978			Plug, Front Panel
7	3396807	280040		Panel-Rear
8	8541400			Bracket, Cabinet
9	3980175			Clamp, Elbow
10	3406104	3406105		Door Switch Assembly
11	697773	3395530		Screw
14	342055	488627		Screw
15	3394083			Clip, Front Panel
16	3392100	49621		Feet-Leveling

18	8530603	8533643	Cabinet
"	8530606	3977306	Cabinet
19	98234		Clip, U-Bend
20	690363	18776	Lock, Front Top
21	3403574	279846	Panel
"	3403577	279932	Panel
23	685203	279220	Clip
24	690081	279570	Latch
28	3405514	W10362431	Hinge And Pin Assembly
29	696144	279570	Latch
30	3403371		Door, Inner
31	3403361		Door Front
"	3403363		Door, Front
32	3405184		Handle, Door
"	3405189		Handle, Door
33	8066124	279264	Air Channel Box
34	3405245		5/16-18 X 3/4
35	344020	3401402	Cord, Power
36	8066217		Hinge, Top
37	691366		Idler And Pulley Assembly
38	8066065	341241	Belt
39	348780		Base, Motor
40	3400500		Bolt, 3405245 5/16-18 X 3/4
41	3394341	W10299847	Pulley-Motor
42	8066206	279827	Motor-Drve
43	660658		Clamp, Motor Mounting 343481 685441
44	3404162		Clamp, Motor
45	8318272	W10465748	Burner-Gas
46	341029		Clamp, Pipe Door Spring

