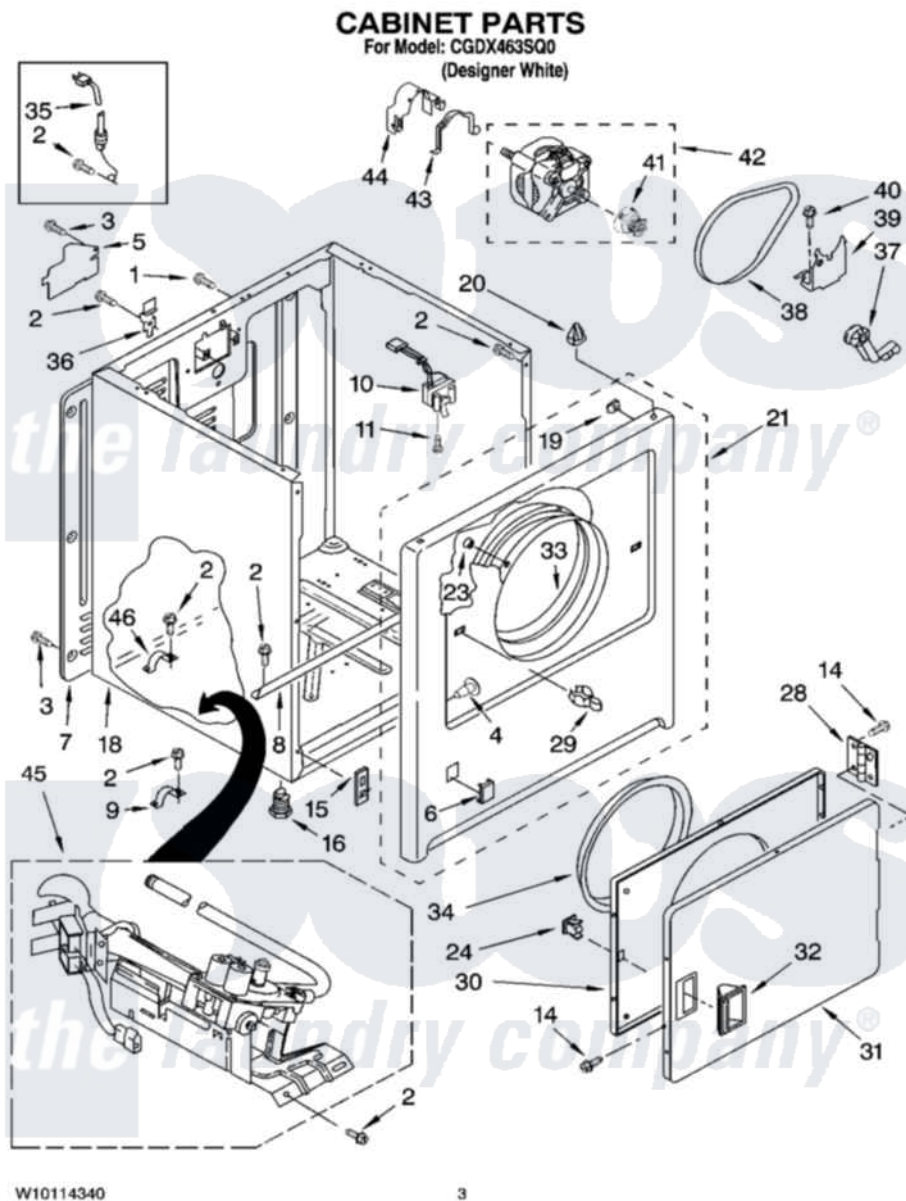


Whirlpool CGDX463SQ0 02 - CABINET PARTS



Whirlpool [Residential Whirlpool CGDX463SQ0 Dryer Parts](#) Parts Diagram 02 - CABINET PARTS
Click on the part number to view part

Item	Original Part Number	Replaced By	Status	Part Description
1	697776	4331106		Screw, No.10-32 X 7/16
2	343641	681414		Screw, 10AB X 1/2
3	693995			Screw, Hex Head
4	3404413			Plug, Hinge Hole
5	3396795			Cover, Terminal Block
6	3394975			Plug, Front Panel
7	3396807	280040		Panel-Rear
8	8541400			Bracket, Cabinet
9	3980175			Clamp, Elbow
10	3406104	3406105		Door Switch Assembly
11	697773	3395530		Screw
14	342055	488627		Screw
15	3394083			Clip, Front Panel
16	3392100	49621		Feet-Leveling
18	8530603	8533643		Cabinet
19	98234			Clip, U-Bend

20	690363	18776	Lock, Front Top
21	3403574	279846	Panel
23	685203	279220	Clip
24	690081	279570	Latch
28	3405514	W10362431	Hinge And Pin Assembly
29	696144	279570	Latch
30	3403371		Door, Inner
31	3403361		Door Front
32	3405184		Handle, Door
33	8066124	279264	Air Channel Box
34	3405245		5/16-18 X 3/4
35	344020	3401402	Cord, Power
36	8066217		Hinge, Top
37	691366		Idler And Pulley Assembly
38	8066065	341241	Belt
39	348780		Base, Motor
40	3400500		Bolt, 3405245 5/16-18 X 3/4
41	8066184		Pulley, Motor
42	8066206	279827	Motor-Drve
43	660658		Clamp, Motor Mounting 343481 685441
44	3404162		Clamp, Motor
45	8318272	W10465748	Burner-Gas
46	341029		Clamp, Pipe Door Spring

