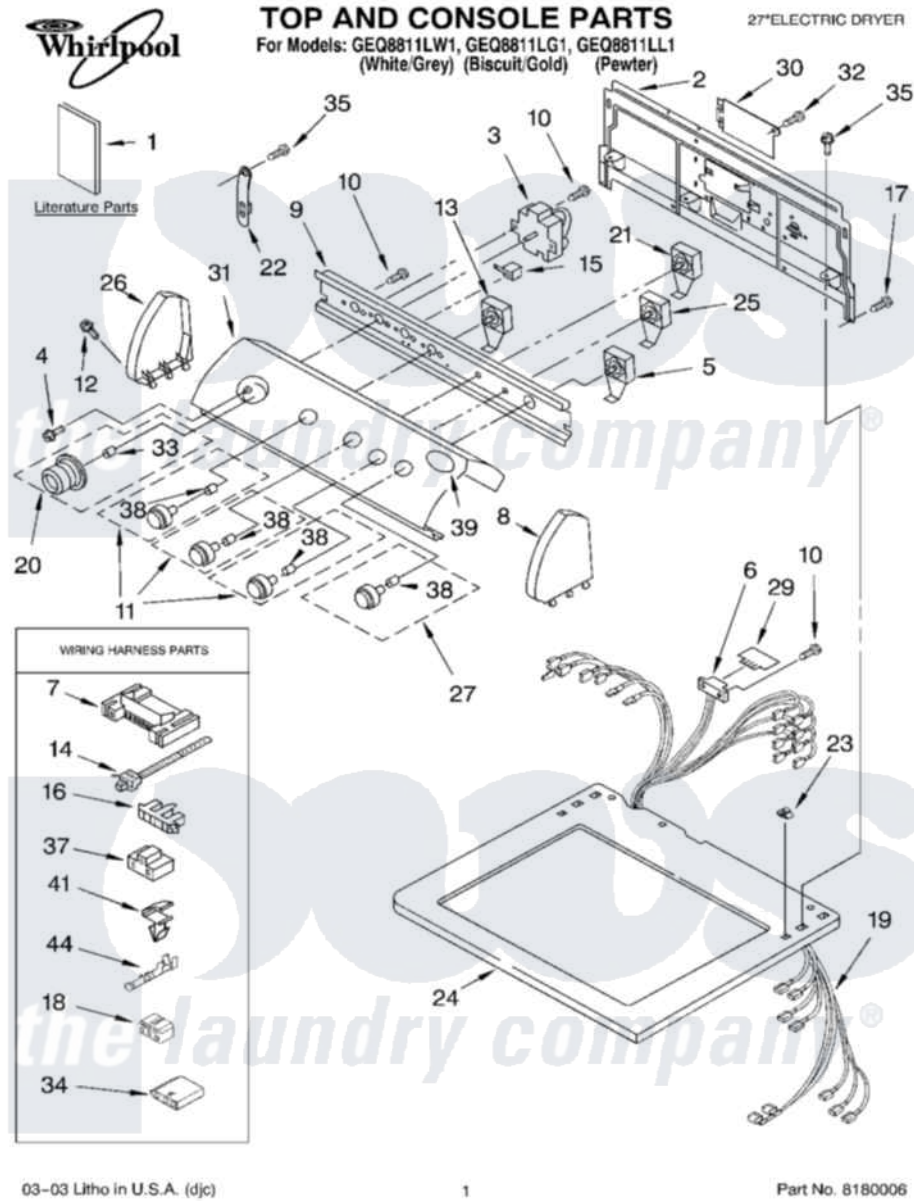


# Whirlpool GEQ8811LG1 01 - TOP AND CONSOLE PARTS



03-03 Litho in U.S.A. (djc)

1

Part No. 8180006

Whirlpool Residential Whirlpool GEQ8811LG1 Dryer Parts Parts Diagram 01 - TOP AND CONSOLE PARTS  
 Click on the part number to view part

Item	Original Part Number	Replaced By	Status	Part Description
1	LIT8541831		Not Available	Literature Parts (Wiring Diagram)
"	LIT8535837		Not Available	Literature Parts (Guide, Use & Care)
"	LIT8535840		Not Available	Literature Parts (Instructions Installation)
"	N/A		Not Available	Following May Be Purchased DO-IT-YOURSELF REPAIR MANUALS
"	LIT677818	<a href="#">677818L</a>		Diy
2	8317305	<a href="#">285909</a>		Panel-Rear
3	<a href="#">3406725</a>			Timer Assembly
4	<a href="#">3400859</a>			Screw, Grounding
5	<a href="#">3398094</a>			Switch, Push To Start
6	<a href="#">3391885</a>			Connector, Edge
7	<a href="#">3395683</a>			Receptacle, Multi-Terminal
8	8271359	<a href="#">279962</a>		Endcap
"	8271362	<a href="#">279965</a>		Endcap

"	<a href="#">3956023</a>	<a href="#">285980</a>	Endcap
9	<a href="#">8271316</a>		Bracket, Control
10	<a href="#">3390646</a>	<a href="#">W10139210</a>	Screw, 8-18 X 5/16
11	<a href="#">8538957</a>		Knob, Control
"	<a href="#">8538958</a>		Knob, Control
12	<a href="#">388326</a>		Screw, 8-18 X 1.25
13	<a href="#">8528330</a>		Switch, Temperature
14	<a href="#">3391018</a>		Tie Cable
15	<a href="#">694419</a>		Mini-Buzzer
16	<a href="#">3397269</a>		Connector, Timer
17	<a href="#">693995</a>		Screw, Hex Head
18	<a href="#">3347243</a>		Block, Disconnect
19	<a href="#">8299956</a>	<a href="#">8576516</a>	Harns-Wire
20	<a href="#">8538953</a>		Timer Knob Assembly
"	<a href="#">8538954</a>		Timer Knob Assembly
21	<a href="#">3405154</a>		Switch Rotary
22	<a href="#">8318255</a>	<a href="#">8568314</a>	Strap, Console
23	<a href="#">357213</a>		Nut, Push-In
24	<a href="#">8535848</a>	<a href="#">8563987</a>	Top
"	<a href="#">8535849</a>	<a href="#">8563988</a>	Top
"	<a href="#">8535850</a>	<a href="#">8563989</a>	Top
25	<a href="#">3405152</a>		Switch, Wrinkle Shield
26	<a href="#">8271365</a>	<a href="#">279962</a>	Endcap
"	<a href="#">8271368</a>	<a href="#">279965</a>	Endcap
"	<a href="#">3956024</a>	<a href="#">285980</a>	Endcap
27	<a href="#">8538959</a>		Knob, Push-To-Start
"	<a href="#">8538960</a>		Knob, Push-To-Start
29	<a href="#">3390537</a>	<a href="#">8558178</a>	Control, Electronic
30	<a href="#">8317342</a>	<a href="#">W10119283</a>	Cover, Terminal Block
31	<a href="#">8532625</a>		Panel, Control
"	<a href="#">8532626</a>		Panel, Control
32	<a href="#">3390814</a>	<a href="#">90767</a>	Screw, 8A X 3/8 HeX Washer Head Tapping
33	<a href="#">688805</a>		Clip, Spring Knob
34	<a href="#">3936144</a>		Do-It-Yourself Repair Manuals
35	<a href="#">3390647</a>	<a href="#">488729</a>	Screw
37	<a href="#">3401144</a>		Connector
38	<a href="#">8536939</a>		Clip, Knob
39	<a href="#">3955776</a>		Medallion
41	<a href="#">3394427</a>		Clip-Harness
44	<a href="#">94614</a>		Terminal

*the laundry company*<sup>®</sup>