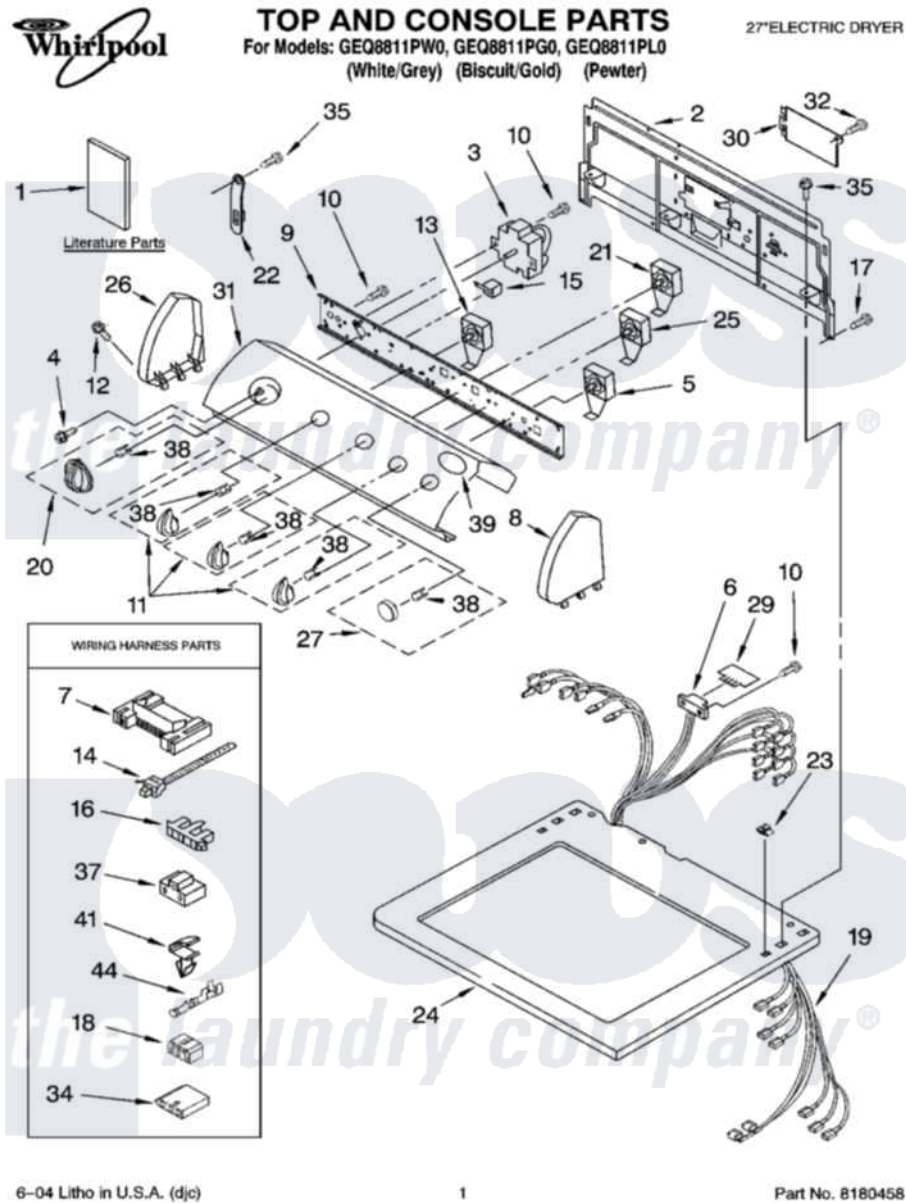


Whirlpool GEQ8811PW0 01 - TOP AND CONSOLE PARTS



6-04 Litho in U.S.A. (djc)

1

Part No. 8180458

Whirlpool Residential Whirlpool GEQ8811PW0 Dryer Parts Parts Diagram 01 - TOP AND CONSOLE PARTS
 Click on the part number to view part

Item	Original Part Number	Replaced By	Status	Part Description
1	8541831			Wiring Diagram
"	8533770		Not Available	Sheet, Cycle Feature
"	8533772		Not Available	Guide, Use & Care
"	8535833		Not Available	Instructions Installation
"	N/A		Not Available	Following May Be Purchased DO-IT-YOURSELF REPAIR MANUALS
"	677818		Not Available	Manual, Do-It- Yourself Repair (Dryer)
2	8317305	285909		Panel-Rear
3	3406725			Timer Assembly
4	3400859			Screw, Grounding
5	3398094			Switch, Push To Start
6	3391885			Connector, Edge
7	3395683			Receptacle, Multi-Terminal
8	8271359	279962		Endcap
"	8271362	279965		Endcap

"	3956023	285980	Endcap
9	8544897		Bracket, Control
10	3390646	W10139210	Screw, 8-18 X 5/16
11	8544937		Knob, Control
"	8544938		Knob, Control
12	388326		Screw, 8-18 X 1.25
13	8528330		Switch, Temperature
14	3391018		Tie Cable
15	694419		Mini-Buzzer
16	3397269		Connector, Timer
17	693995		Screw, Hex Head
18	3347243		Block, Disconnect
19	8299956	8576516	Harns-Wire
20	8544957		Timer Knob Assembly
"	8544958		Timer Knob Assembly
21	3405154		Switch Rotary
22	8318255	8568314	Strap, Console
23	357213		Nut, Push-In
24	8535848	8563987	Top
"	8535849	8563988	Top
"	8546092	3980605	Top
25	3405152		Switch, Wrinkle Shield
26	8271365	279962	Endcap
"	8271368	279965	Endcap
"	3956024	285980	Endcap
27	8544941		Knob, Push-To-Start
"	8544942		Knob, Push-To-Start
29	3390537	8558178	Control, Electronic
30	8317342	W10119283	Cover, Terminal Block
31	8546001		Panel, Control
"	8546002		Panel, Control
32	3390814	90767	Screw, 8A X 3/8 HeX Washer Head Tapping
34	3936144		Do-It-Yourself Repair Manuals
35	3390647	488729	Screw
37	3401144		Connector
38	8536939		Clip, Knob
39	8533990		Medallion
41	3394427		Clip-Harness
44	94614		Terminal