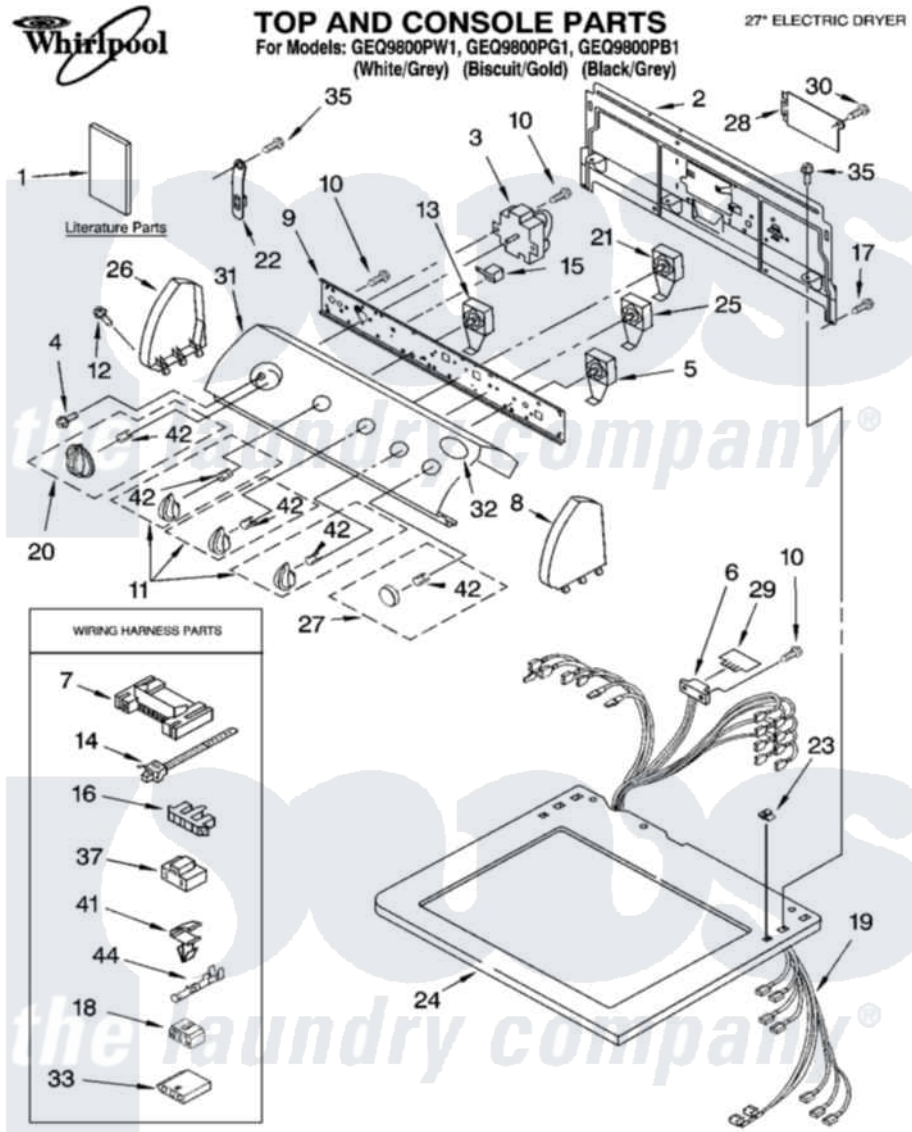


# Whirlpool GEQ9800PG1 01 - TOP AND CONSOLE PARTS



5-04 Litho in U.S.A. (djc)

1

Part No. 8180432

Whirlpool Residential Whirlpool GEQ9800PG1 Dryer Parts Parts Diagram 01 - TOP AND CONSOLE PARTS

[Click on the part number to view part](#)

Item	Original Part Number	Replaced By	Status	Part Description
1	<a href="#">8541831</a>			Wiring Diagram
"	8533772		Not Available	Guide, Use & Care
"	8533770		Not Available	Sheet, Cycle Feature
"	8535833		Not Available	Instructions Installation
"	N/A		Not Available	Following May Be Purchased DO-IT-YOURSELF REPAIR MANUALS
"	677818		Not Available	Manual, Do-It- Yourself Repair (Dryer)
2	8317305	<a href="#">285909</a>		Panel-Rear
3	<a href="#">3406725</a>			Timer Assembly
4	<a href="#">3400859</a>			Screw, Grounding
5	<a href="#">3398094</a>			Switch, Push To Start
6	<a href="#">3391885</a>			Connector, Edge
7	<a href="#">3395683</a>			Receptacle, Multi-Terminal
8	8271359	<a href="#">279962</a>		Endcap
"	8271362	<a href="#">279965</a>		Endcap

"	8271361	<a href="#">279964</a>	Endcap
9	<a href="#">8544897</a>		Bracket, Control
10	3390646	<a href="#">W10139210</a>	Screw, 8-18 X 5/16
11	<a href="#">8544937</a>		Knob, Control
"	<a href="#">8544938</a>		Knob, Control
12	<a href="#">388326</a>		Screw, 8-18 X 1.25
13	<a href="#">8528330</a>		Switch, Temperature
14	<a href="#">3391018</a>		Tie Cable
15	<a href="#">694419</a>		Mini-Buzzer
16	<a href="#">3397269</a>		Connector, Timer
17	<a href="#">693995</a>		Screw, Hex Head
18	<a href="#">3347243</a>		Block, Disconnect
19	8299956	<a href="#">8576516</a>	Harns-Wire
20	<a href="#">8544957</a>		Timer Knob Assembly
"	<a href="#">8544958</a>		Timer Knob Assembly
21	<a href="#">3405154</a>		Switch Rotary
22	8318255	<a href="#">8568314</a>	Strap, Console
23	<a href="#">357213</a>		Nut, Push-In
24	8535848	<a href="#">8563987</a>	Top
"	8535849	<a href="#">8563988</a>	Top
"	8546091	<a href="#">8563990</a>	Top
25	<a href="#">3405152</a>		Switch, Wrinkle Shield
26	8271365	<a href="#">279962</a>	Endcap
"	8271368	<a href="#">279965</a>	Endcap
"	8271367	<a href="#">279964</a>	Endcap
27	<a href="#">8544941</a>		Knob, Push-To-Start
"	<a href="#">8544942</a>		Knob, Push-To-Start
28	8317342	<a href="#">W10119283</a>	Cover, Terminal Block
29	3390537	<a href="#">8558178</a>	Control, Electronic
30	3390814	<a href="#">90767</a>	Screw, 8A X 3/8 HeX Washer Head Tapping
31	<a href="#">8545999</a>		Panel, Control
"	<a href="#">8546000</a>		Panel, Control
32	<a href="#">8533990</a>		Medallion
33	<a href="#">3936144</a>		Do-It-Yourself Repair Manuals
35	3390647	<a href="#">488729</a>	Screw
37	<a href="#">3401144</a>		Connector
41	<a href="#">3394427</a>		Clip-Harness
42	<a href="#">8536939</a>		Clip, Knob
44	<a href="#">94614</a>		Terminal