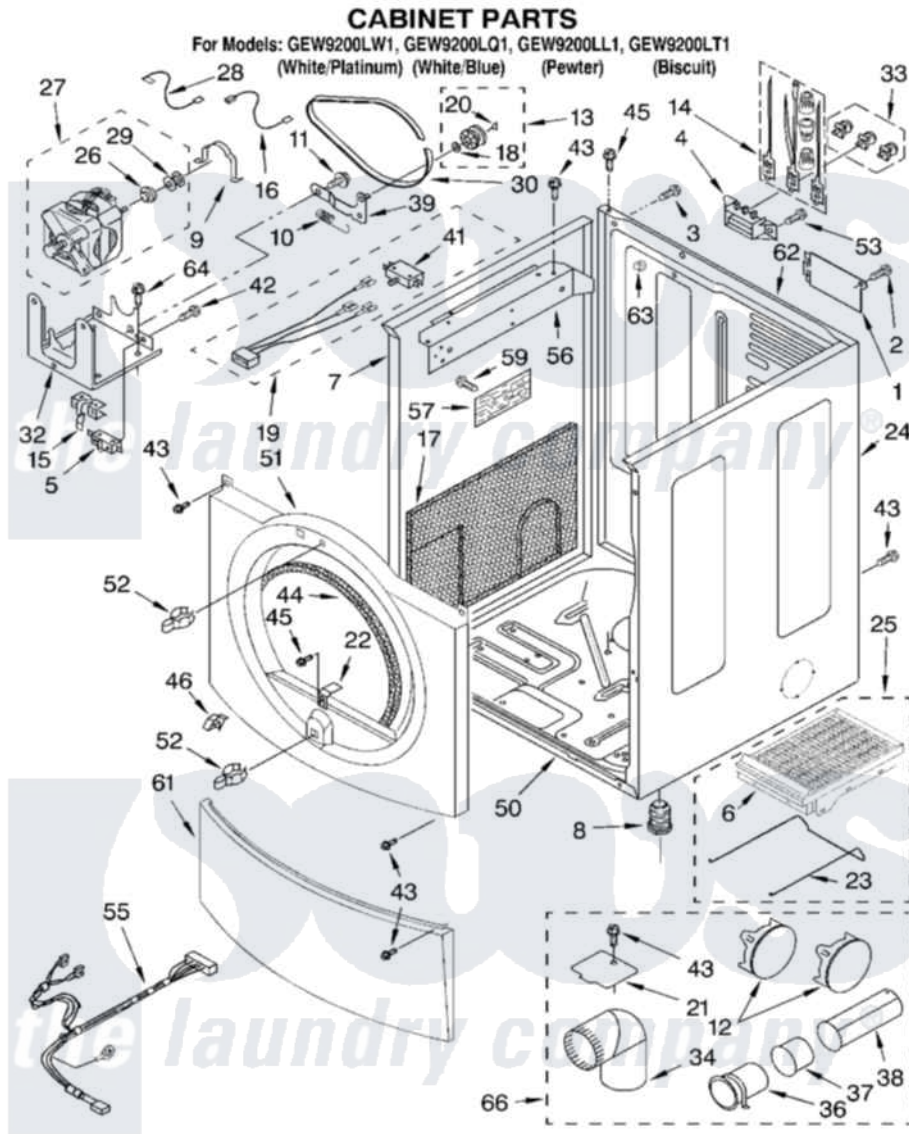


Whirlpool GEW9200LL1 02 - CABINET PARTS



8180003

3

Whirlpool [Residential Whirlpool GEW9200LL1 Dryer Parts](#) Parts Diagram 02 - CABINET PARTS

[Click on the part number to view part](#)

| Item | Original Part Number | Replaced By | Status | Part Description |
|------|-------------------------|---------------------------|--------|---|
| 1 | 8317342 | W10119283 | | Cover, Terminal Block |
| 2 | 3390814 | 90767 | | Screw, 8A X 3/8 HeX Washer Head Tapping |
| 3 | 697776 | 4331106 | | Screw, No.10-32 X 7/16 |
| 4 | 3397659 | | | Block, Terminal |
| 5 | 3394881 | 279782 | | Switch-Lid |
| 6 | 8521959 | W10121663 | | Dryer Rack |
| 7 | 8519209 | W10131287 | | Panel |
| " | 8519216 | 3980358 | | Panel |
| " | 8519210 | W10131288 | | Panel |
| 8 | 3392100 | 49621 | | Feet-Leveling |
| " | 279810 | | | Foot-Optional |
| 9 | 660658 | | | Clamp, Motor Mounting 343481 685441 |
| 10 | 3387374 | | | Spring, Idler |
| 11 | 3389420 | | | Retainer-Idler 1/4-20 X 1/16 |
| 12 | 697750 | W10470674 | | Dryer Exhaust Kit |

| | | | |
|----|-------------------------|---------------------------|---|
| " | 3979261 | | Plug, Multivent |
| " | 3388311 | | Plug, Multivent |
| 13 | 3388672 | 279640 | Pulley-ldr |
| 14 | 279318 | | Terminal Tinned And Brass Panel |
| 15 | 8066120 | | Lever, Door Switch |
| 16 | 3394081 | | Wire, Broken Belt Switch |
| 17 | 8528076 | 8564134 | Board, Sound Dampening |
| 18 | 233520 | | Washer, Thrust |
| 19 | 8283288 | | Wire, Jumper |
| 20 | 690997 | | Washer, Thrust |
| 21 | 8066115 | 3394331 | Plate Cover |
| 22 | 8529053 | | Ramp, Door Door Switch |
| 23 | 8521961 | | Support, Dry Rack |
| 24 | 8519213 | W10131287 | Panel |
| " | 8519217 | 3980359 | Panel |
| " | 8519214 | W10131288 | Panel |
| 25 | 8521957 | W10121663 | Dryer Rack |
| 26 | 3393657 | | Restrainer, Belt |
| 27 | 8538263 | 279787 | Motor-Drve |
| 28 | 3398948 | | Wire, Jumper |
| 29 | 3389729 | | Pulley, Motor |
| 30 | 3387610 | 661570 | Belt |
| 32 | 3387118 | | Bracket, Motor |
| 33 | 279393 | | Terminal Block Screw Kit |
| 34 | 49026 | | 4" - 90° Elbow |
| 36 | 3395532 | | Exhaust Pipe And Bracket |
| 37 | 3395534 | | Exhaust Pipe |
| 38 | 3395535 | 8563749 | Exhaust Pipe |
| 39 | 3388674 | W10118756 | Idler Bracket |
| 41 | 8519323 | 8283288 | Wire, Jumper |
| 42 | 98129 | | Screw, 6-20 X 1 1/16 |
| 43 | 3390647 | 488729 | Screw |
| 44 | 3387242 | | Seal, Front Panel |
| 45 | 3393008 | 308685 | Side Trim) |
| 46 | 8519459 | | Clip, Toe Panel |
| 50 | 8519207 | | Base, Cabinet |
| 51 | 8519227 | 280096 | Panel |
| " | 3980074 | 280098 | Panel |
| " | 3979765 | 280097 | Panel |
| 52 | 696144 | 279570 | Latch |
| 53 | 90767 | | Screw, 8A X 3/8 HeX Washer Head Tapping |
| 55 | 8299925 | | Harness, Digital Interface |
| 56 | 8519273 | W10119274 | Bracket, Control |
| 57 | 3980062 | 8557308 | Control Board |
| 59 | 3400826 | | Screw, 8-18 X 3/4 |
| 61 | 8519233 | | Toe, Panel |
| " | 3980095 | | Toe, Panel |
| " | 8519234 | | Toe, Panel |
| 62 | 8519219 | 280036 | Panel-Rear |
| 63 | 692400 | | Nut, Push-In |
| 64 | 343641 | 681414 | Screw, 10AB X 1/2 |

| | | | | |
|----|--------|---------------------------|---------------|---|
| " | BLANK | | Not Available | Optional Parts Not Included Dryer Exhaust Kit (For Side & Bottom Venting) |
| 66 | 279818 | W10470674 | | Dryer Exhaust Kit |
| " | 279969 | W10470674 | | Dryer Exhaust Kit |
| " | 279925 | W10470674 | | Dryer Exhaust Kit |

