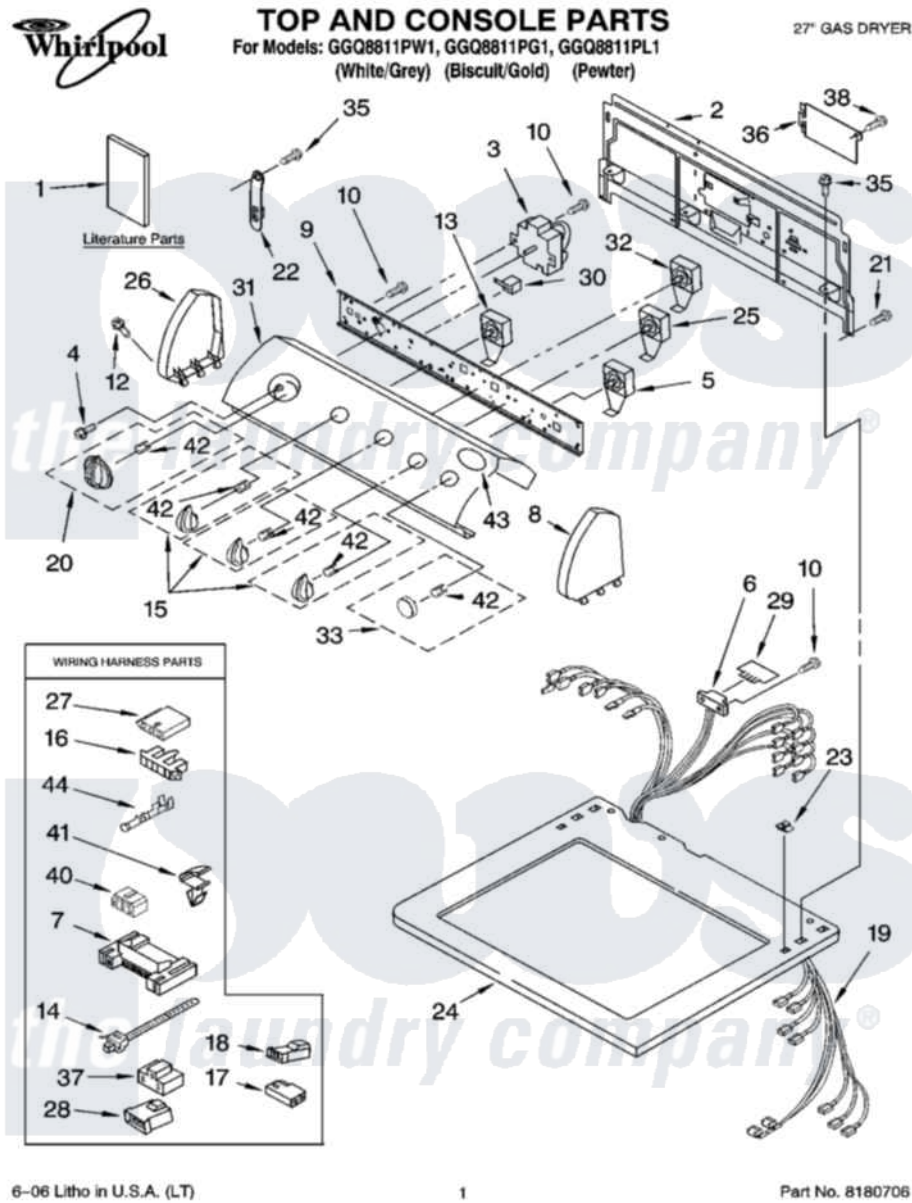


Whirlpool GGQ8811PL1 01 - TOP AND CONSOLE PARTS



6-06 Litho in U.S.A. (LT)

1

Part No. 8180706

Whirlpool Residential Whirlpool GGQ8811PL1 Dryer Parts Parts Diagram 01 - TOP AND CONSOLE PARTS
 Click on the part number to view part

| Item | Original Part Number | Replaced By | Status | Part Description |
|------|-------------------------|-------------------------|---------------|--|
| 1 | 8541831 | | | Wiring Diagram |
| " | 8533772 | | Not Available | Guide, Use & Care |
| " | 8533770 | | Not Available | Sheet, Cycle Feature |
| " | 8557498 | | Not Available | Instructions, Installation |
| " | N/A | | Not Available | Following May Be Purchased DO-IT-YOURSELF REPAIR MANUALS |
| " | 677818 | | Not Available | Manual, Do-It- Yourself Repair (Dryer) |
| 2 | 8317305 | 285909 | | Panel-Rear |
| 3 | 3406725 | | | Timer Assembly |
| 4 | 8533951 | 3400859 | | Screw, Grounding |
| 5 | 3398094 | | | Switch, Push To Start |
| 6 | 3391885 | | | Connector, Edge |
| 7 | 3395683 | | | Receptacle, Multi-Terminal |
| 8 | 8271359 | 279962 | | Endcap |
| " | 8271362 | 279965 | | Endcap |

| | | | |
|----|-------------------------|-------------------------|---|
| " | 3956023 | 285980 | Endcap |
| 9 | 8544897 | | Bracket, Control |
| 10 | 8533971 | 90767 | Screw, 8A X 3/8 HeX Washer Head Tapping |
| 12 | 388326 | | Screw, 8-18 X 1.25 |
| 13 | 3405155 | | Switch, Temperature |
| 14 | 3391018 | | Tie Cable |
| 15 | 8544937 | | Knob, Control |
| " | 8544938 | | Knob, Control |
| 16 | 3397269 | | Connector, Timer |
| 17 | 717252 | | Receptacle, Terminal |
| 18 | 3403499 | | Connector, 2-Postion |
| 19 | 8299951 | | Harness, Wiring |
| 20 | 8544957 | | Timer Knob Assembly |
| " | 8544958 | | Timer Knob Assembly |
| 21 | 693995 | | Screw, Hex Head |
| 22 | 8568314 | | Strap, Console |
| 23 | 357213 | | Nut, Push-In |
| 24 | 8535848 | 8563987 | Top |
| " | 8535849 | 8563988 | Top |
| " | 8546092 | 3980605 | Top |
| 25 | 3405152 | | Switch, Wrinkle Shield |
| 26 | 8271365 | 279962 | Endcap |
| " | 8271368 | 279965 | Endcap |
| " | 3956024 | 285980 | Endcap |
| 27 | 3936144 | | Do-It-Yourself Repair Manuals |
| 28 | 3403498 | | Connector, 3-Position |
| 29 | 8558178 | | Control, Electronic |
| 30 | 694419 | | Mini-Buzzer |
| 31 | 8546001 | | Panel, Control |
| " | 8546002 | | Panel, Control |
| 32 | 3405154 | | Switch Rotary |
| 33 | 8544941 | | Knob, Push-To-Start |
| " | 8544942 | | Knob, Push-To-Start |
| 35 | 3390647 | 488729 | Screw |
| 36 | 8317340 | | Cover, Terminal Block |
| 37 | 3401144 | | Connector |
| 38 | 3390814 | 90767 | Screw, 8A X 3/8 HeX Washer Head Tapping |
| 40 | 3347243 | | Block, Disconnect |
| 41 | 3394427 | | Clip-Harness |
| 42 | 8536939 | | Clip, Knob |
| 43 | 8533990 | | Medallion |
| 44 | 94614 | | Terminal |