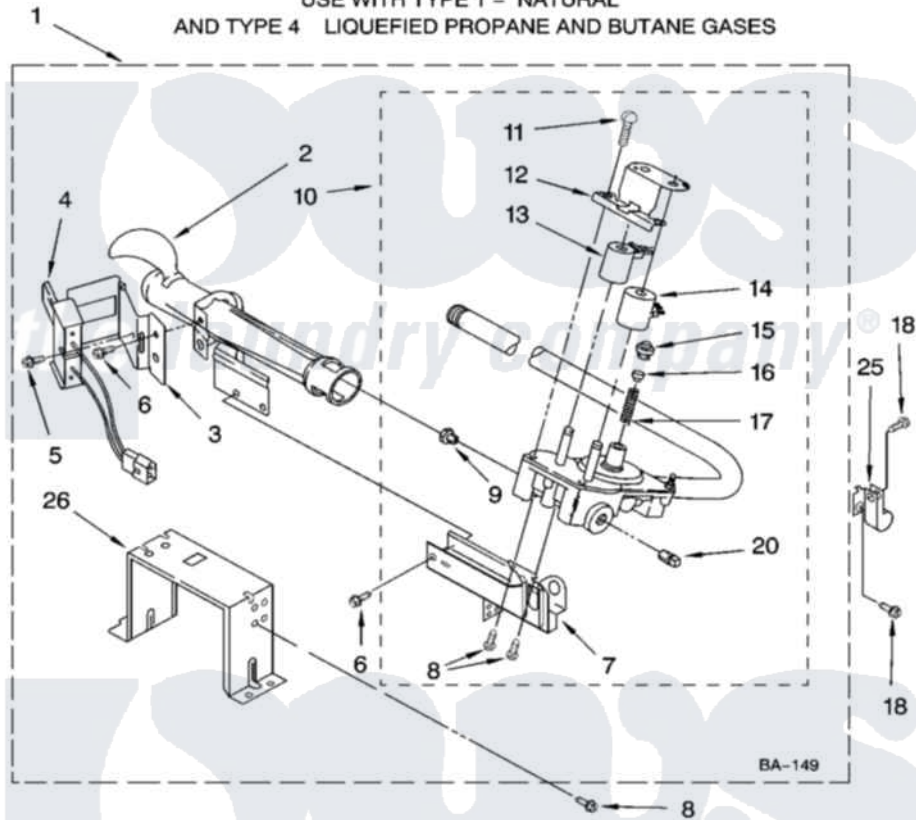


Whirlpool GGW9200LL2 04 - 8318276 BURNER ASSEMBLY

8318276 BURNER ASSEMBLY

For Models: GGW9200LW2, GGW9200LQ2, GGW9200LL2, GGW9200LT2
(White/Platinum) (White/Blue) (Pewter) (Biscuit)

USE WITH TYPE 1 - NATURAL
AND TYPE 4 LIQUEFIED PROPANE AND BUTANE GASES



8180468

7

Whirlpool Residential Whirlpool GGW9200LL2 Dryer Parts Parts Diagram 04 - 8318276 BURNER ASSEMBLY
Click on the part number to view part

| Item | Original Part Number | Replaced By | Status | Part Description |
|------|-------------------------|---------------------------|---------------|------------------------------------|
| 1 | 8318276 | 280119 | | Burner-Gas |
| 2 | 688617 | 693140 | | Burner |
| 3 | 694298 | | | Bracket, Ignitor |
| 4 | 686590 | 279311 | | Ignitor |
| 5 | 3393909 | | | Screw, 8-32 X 7/8 |
| 6 | 343641 | 681414 | | Screw, 10AB X 1/2 |
| 7 | 3389871 | | Not Available | Base, Burner |
| 8 | 3387057 | | | Screw, 10-16 X 1/2 Orifice, Burner |
| 9 | 234826 | | | Orifice, Burner Type 1 |
| " | 229742 | | | Orifice, Burner |
| " | 234868 | | | Orifice, Burner |
| 10 | 8318281 | W10480542 | | Valve-Gas |
| 11 | 694421 | | | Screw, Bracket Mounting |
| 12 | 694538 | | | Bracket, Shunt |
| 13 | 694540 | | | Coil, 60 Hz |
| 14 | 694539 | | | Coil, 60 Hz |

| | | | |
|----|-------------------------|---------------------------|---------------------------------|
| 15 | 694424 | | Leak, Limiter |
| 16 | 694423 | | Screw, Regulator Adjustment |
| 17 | 694422 | | Spring, Regulator |
| 18 | 3390647 | 488729 | Screw |
| 20 | 239822 | W10295523 | Plug, Pipe |
| 25 | 3387561 | | Clamp-Pipe |
| 26 | 3389889 | | Bracket, Support |
| " | N/A | | FOLLOWING PARTS NOT ILLUSTRATED |
| " | 694572 | 49572A | Conversion Kit To Type L.p.g.f |

