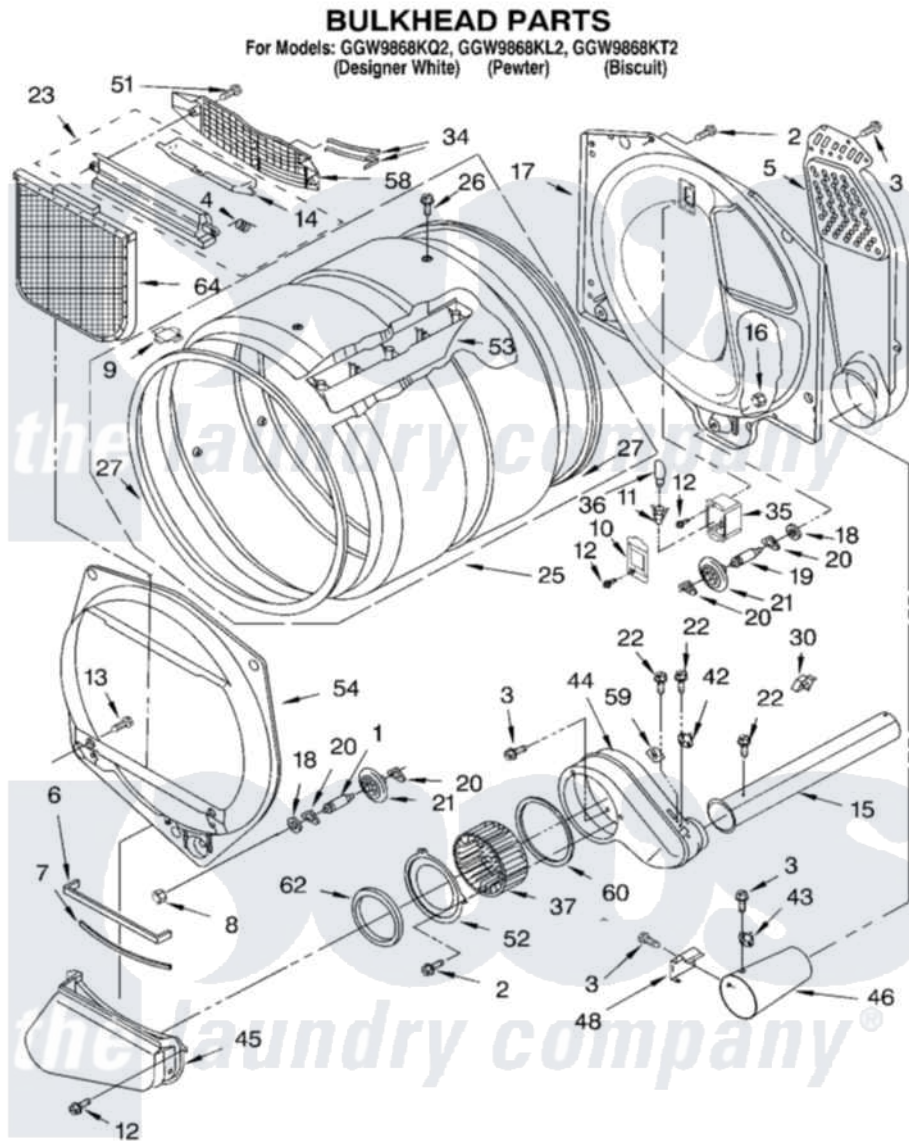


# Whirlpool GGW9868KT2 03 - BULKHEAD PARTS



8180013

5

Whirlpool [Residential Whirlpool GGW9868KT2 Dryer Parts](#) Parts Diagram 03 - BULKHEAD PARTS  
 Click on the part number to view part

Item	Original Part Number	Replaced By	Status	Part Description
1	3399508	<a href="#">W10359271</a>		Shaft, Drum Roller Threads
2	3390647	<a href="#">488729</a>		Screw
3	<a href="#">90767</a>			Screw, 8A X 3/8 HeX Washer Head Tapping
4	<a href="#">3394986</a>			Spring, Lint Screen Door
5	<a href="#">3394346</a>			Air Duct Assembly
6	<a href="#">697813</a>			Seal, Outlet Housing
7	697814	<a href="#">697813</a>		Seal, Outlet Housing
8	<a href="#">3359452</a>			Nut, Lock
9	<a href="#">8066086</a>			Plug, Drum Hole
10	3402841	<a href="#">8532165</a>		Lens, Drum Light
11	3403634	<a href="#">W10136369</a>		Socket, Drum Light Assembly
12	487909	<a href="#">488729</a>		Screw
13	695240	<a href="#">488729</a>		Screw
14	3394984	<a href="#">8563758</a>		Door, Lint Screen
15	8318486	<a href="#">279936</a>		Kit-Exhst
16	<a href="#">3387709</a>			Nut, 3/8-16

17	<a href="#">8520836</a>		Bulkhead, Rear
18	3387459	<a href="#">W10080960</a>	Washer, Support
19	3399509	<a href="#">W10359272</a>	Shaft, Roller Drum Threads
20	<a href="#">690997</a>		Washer, Thrust
21	8536973	<a href="#">W10314173</a>	Support
22	3390646	<a href="#">W10139210</a>	Screw, 8-18 X 5/16
23	3394985	<a href="#">8563755</a>	Housing, Outlet Assembly
25	8318215	<a href="#">W10197999</a>	Drum
26	97787	<a href="#">W10109200</a>	Screw, Baffle Mounting
27	697694	<a href="#">280114</a>	Seal
30	<a href="#">3388229</a>		Retainer, Toe Panel
34	<a href="#">3387223</a>		Electrode, Sensor
35	<a href="#">3977373</a>		Bracket, Drum Light
36	3406124	<a href="#">22002263</a>	Lamp
37	<a href="#">697772</a>		Wheel, Blower
42	3976615	<a href="#">8577274</a>	Thermostat 295F
43	<a href="#">3403140</a>		Thermostat, High-Limit 205F
44	8541568	<a href="#">W10119255</a>	Housing, Blower
45	<a href="#">8530036</a>		Lint Duct Assembly
46	<a href="#">8066047</a>		Funnel, Burner
48	<a href="#">338906</a>		Radiant, Sensor
51	<a href="#">3387230</a>		Screw, 10-16 X 13/16
52	697771	<a href="#">279780</a>	Cover
53	697693	<a href="#">W10113136</a>	Baffle, Drum
54	<a href="#">697557</a>		Bulkhead, Front
58	<a href="#">8299979</a>		Grill, Outlet Screen Door
59	<a href="#">3392519</a>		Thermal Limiter
60	<a href="#">697770</a>		Seal, Cover Plate Blower Housing
62	697769	<a href="#">8566209</a>	Seal, Transition Duct
64	3390721	<a href="#">W10120998</a>	Screen
"	N/A	Not Available	ACCESSORY PARTS
"	<a href="#">4392067</a>		Kit, Dryer Repair
"	<a href="#">8522199</a>		Accessory Parts
"	<a href="#">346764</a>		Kit, Hold Down
"	<a href="#">72017</a>		Paint, Touch-Up
"	<a href="#">4396174</a>		Paint, Touch-Up
"	<a href="#">4392899</a>		Paint, Touch-Up
"	<a href="#">350930</a>		Paint, Pressurized Spray B
"	<a href="#">4396175</a>		Paint, Pressurized Spray
"	<a href="#">4392901</a>		Paint, Pressurized Spray
"	<a href="#">350938</a>		Paint, Pressurized Spray B
"	<a href="#">799344</a>		Paint, Touch-Up )
"	<a href="#">4392900</a>		Paint, Bulk )