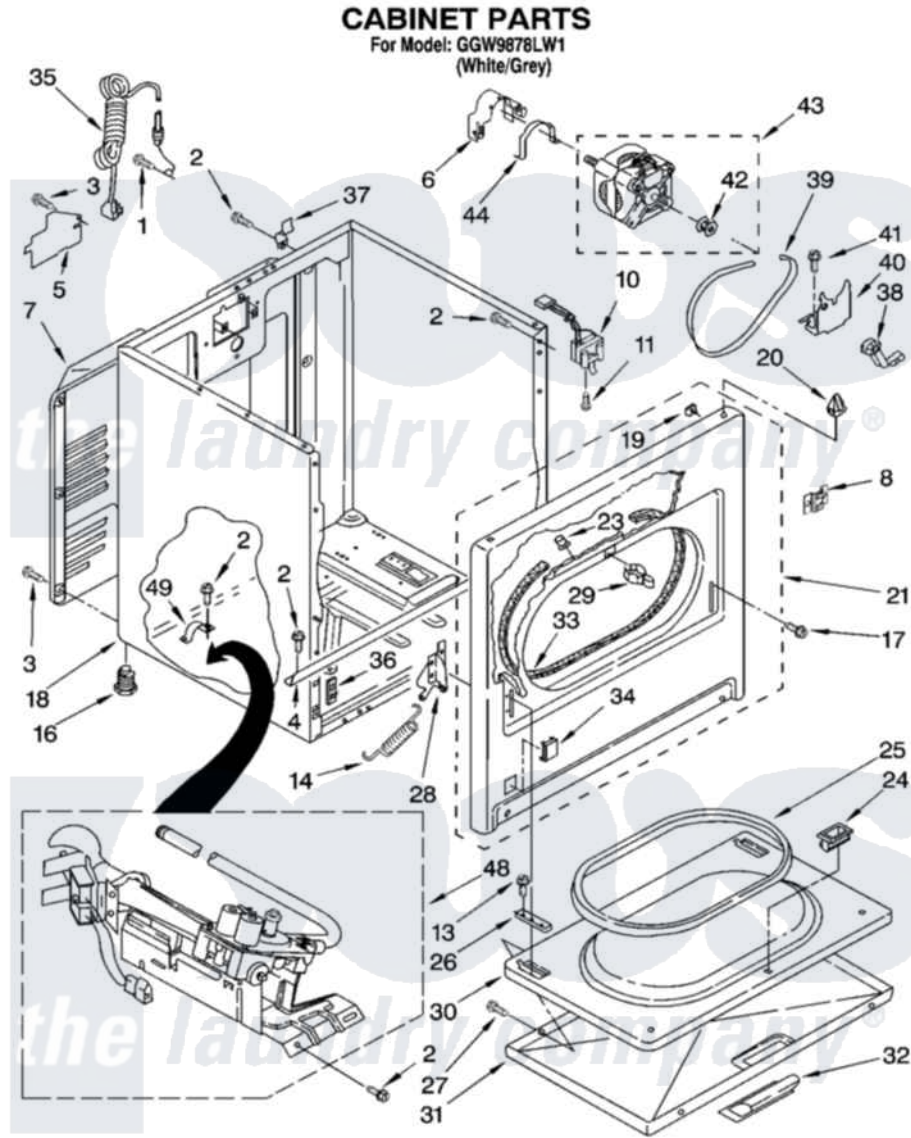


Whirlpool GGW9878LW1 02 - CABINET PARTS



8180251

3

Whirlpool Residential Whirlpool GGW9878LW1 Dryer Parts Parts Diagram 02 - CABINET PARTS
Click on the part number to view part

Item	Original Part Number	Replaced By	Status	Part Description
1	697776	4331106		Screw, No.10-32 X 7/16
2	343641	681414		Screw, 10AB X 1/2
3	693995			Screw, Hex Head
4	8541400			Bracket, Cabinet
5	3396795			Cover, Terminal Block
6	3404162			Clamp, Motor
7	3396805	280043		Panel-Rear
8	8546676	W10041960		Spring, Door
10	3406107			Door Switch Assembly
11	697773	3395530		Screw
13	3357011	308685		Side Trim)
14	8541401	W10041960		Spring, Door
16	3392100	49621		Feet-Leveling
"	279810			Foot-Optional
17	342043	486146		Screw
18	8530603	8533643		Cabinet

19	98234		Clip, U-Bend
20	690363	18776	Lock, Front Top
21	3395197	279740	Panel
23	685203	279220	Clip
24	3389441		Door Catch Assembly
25	3390731		Seal, Door
26	337189		Clip, Hinge
27	694091		Trim, Side Right Hand
28	8066056		Hinge, Door
"	8066057		Hinge, Door
29	696144	279570	Latch
30	695737		Door, Rear
31	3393549		Door, Front
32	690270	348721	Handle
33	3406129		Seal And Bearing Assembly
34	3394975		Plug, Front Panel
35	344020	3401402	Cord, Power
36	3394083		Clip, Front Panel
37	238088	8066217	Hinge, Top
38	691366		Idler And Pulley Assembly
39	8066065	341241	Belt
40	348780		Base, Motor
41	3400500		Bolt, 3405245 5/16-18 X 3/4
42	3394341	W10299847	Pulley-Motor
43	8538262	279827	Motor-Drve
44	660658		Clamp, Motor Mounting 343481 685441
48	8318272	W10465748	Burner-Gas
49	341029		Clamp, Pipe Door Spring

