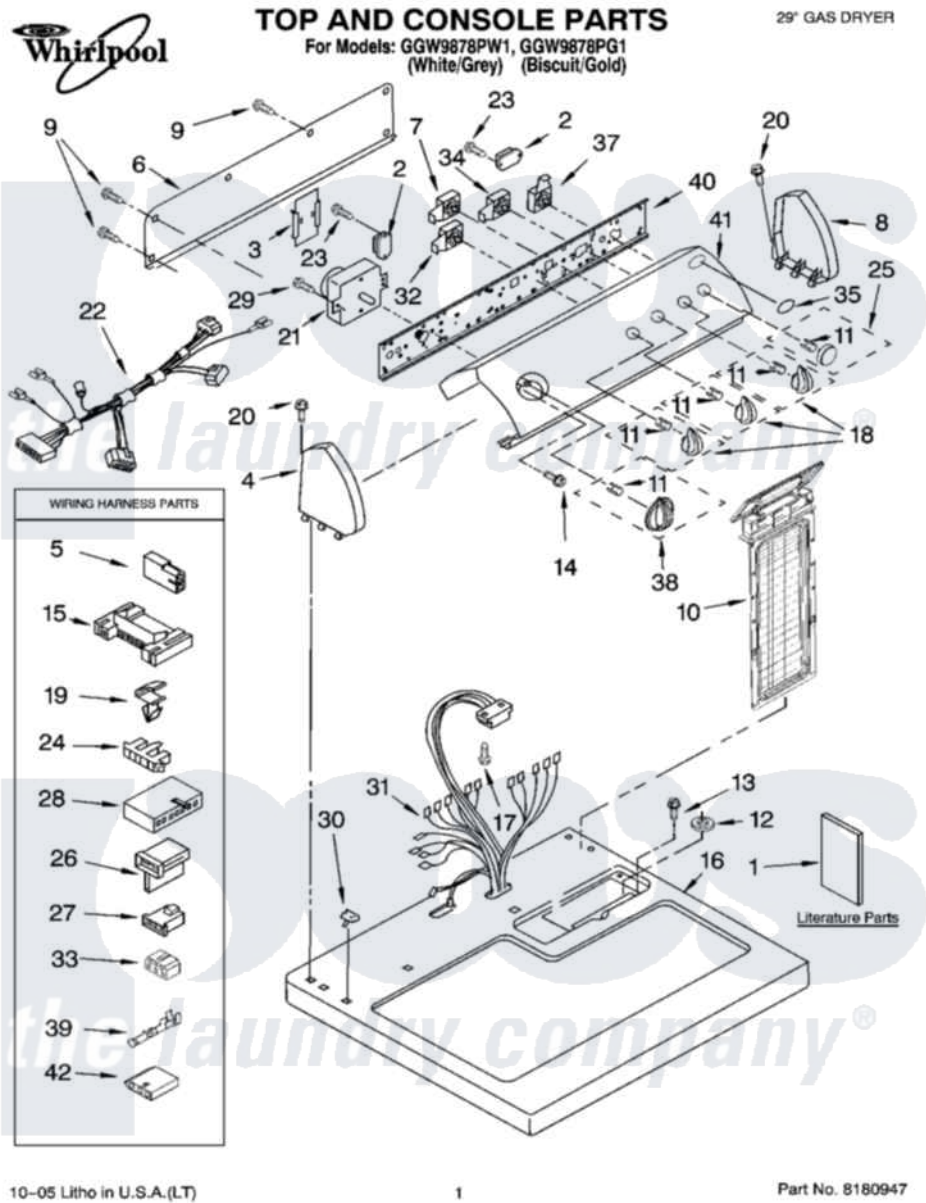


# Whirlpool GGW9878PW1 01 - TOP AND CONSOLE PARTS



10-05 Litho in U.S.A.(LT)

1

Part No. 8180947

Whirlpool Residential Whirlpool GGW9878PW1 Dryer Parts Parts Diagram 01 - TOP AND CONSOLE PARTS  
 Click on the part number to view part

Item	Original Part Number	Replaced By	Status	Part Description
1	8562582		Not Available	Instructions, Installation
"	8533771		Not Available	Sheet, Cycle Feature
"	8578183		Not Available	Use And Care Guide
"	8533776		Not Available	Tech Sheet
"	8535825		Not Available	Sheet, Feature Resource Saver
"	N/A		Not Available	Following May Be Purchased DO-IT-YOURSELF REPAIR MANUALS
"	677818		Not Available	Manual, Do-It- Yourself Repair (Dryer)
2	<a href="#">3405281</a>			Power Relay
3	3976623	<a href="#">W10116566</a>		Control-Elec
4	8271365	<a href="#">279962</a>		Endcap
"	8271368	<a href="#">279965</a>		Endcap
5	<a href="#">717252</a>			Receptacle, Terminal
6	<a href="#">8274261</a>			Do-It-Yourself Repair Manuals
7	<a href="#">3405152</a>			Switch, Wrinkle Shield

8	8271359	<a href="#">279962</a>	Endcap
"	8271362	<a href="#">279965</a>	Endcap
9	<a href="#">693995</a>		Screw, Hex Head
10	<a href="#">8557857</a>		Screen, Lint
"	<a href="#">8557858</a>		Screen, Lint
11	<a href="#">8536939</a>		Clip, Knob
12	237446	<a href="#">487596</a>	Washer
13	688983	<a href="#">487240</a>	Screw, For Mtg. Service Capacitor
14	8533951	<a href="#">3400859</a>	Screw, Grounding
15	<a href="#">3395683</a>		Receptacle, Multi-Terminal
16	8557927	<a href="#">8563993</a>	Top
"	8557928	<a href="#">8563994</a>	Top
17	343641	<a href="#">681414</a>	Screw, 10AB X 1/2
18	<a href="#">8544937</a>		Knob, Control
"	<a href="#">8544938</a>		Knob, Control
19	<a href="#">3394427</a>		Clip-Harness
20	<a href="#">388326</a>		Screw, 8-18 X 1.25
21	<a href="#">8299771</a>		Timer Assembly
22	<a href="#">8283281</a>		Harness, Console
23	<a href="#">3388228</a>		Screw, 8-18 X 1/32
24	<a href="#">3397269</a>		Connector, Timer
25	<a href="#">8544941</a>		Knob, Push-To-Start
"	<a href="#">8544942</a>		Knob, Push-To-Start
26	<a href="#">3403499</a>		Connector, 2-Postion
27	<a href="#">3403498</a>		Connector, 3-Position
28	<a href="#">3936150</a>		Connector, 7-Circuit
29	8533971	<a href="#">90767</a>	Screw, 8A X 3/8 HeX Washer Head Tapping
30	<a href="#">357213</a>		Nut, Push-In
31	<a href="#">8299900</a>		Harness, Wiring
32	<a href="#">8299970</a>		Switch, Temperature
33	<a href="#">3347243</a>		Block, Disconnect
34	<a href="#">3405151</a>		Switch, End Of Cycle
35	<a href="#">8533990</a>		Medallion
37	<a href="#">3977456</a>		Switch, Push-To-Start
38	<a href="#">8544957</a>		Timer Knob Assembly
"	<a href="#">8544958</a>		Timer Knob Assembly
39	<a href="#">94614</a>		Terminal
40	<a href="#">8544895</a>		Bracket, Control
41	<a href="#">8545982</a>		Panel, Control
"	<a href="#">8545984</a>		Panel, Control
42	<a href="#">3936144</a>		Do-It-Yourself Repair Manuals