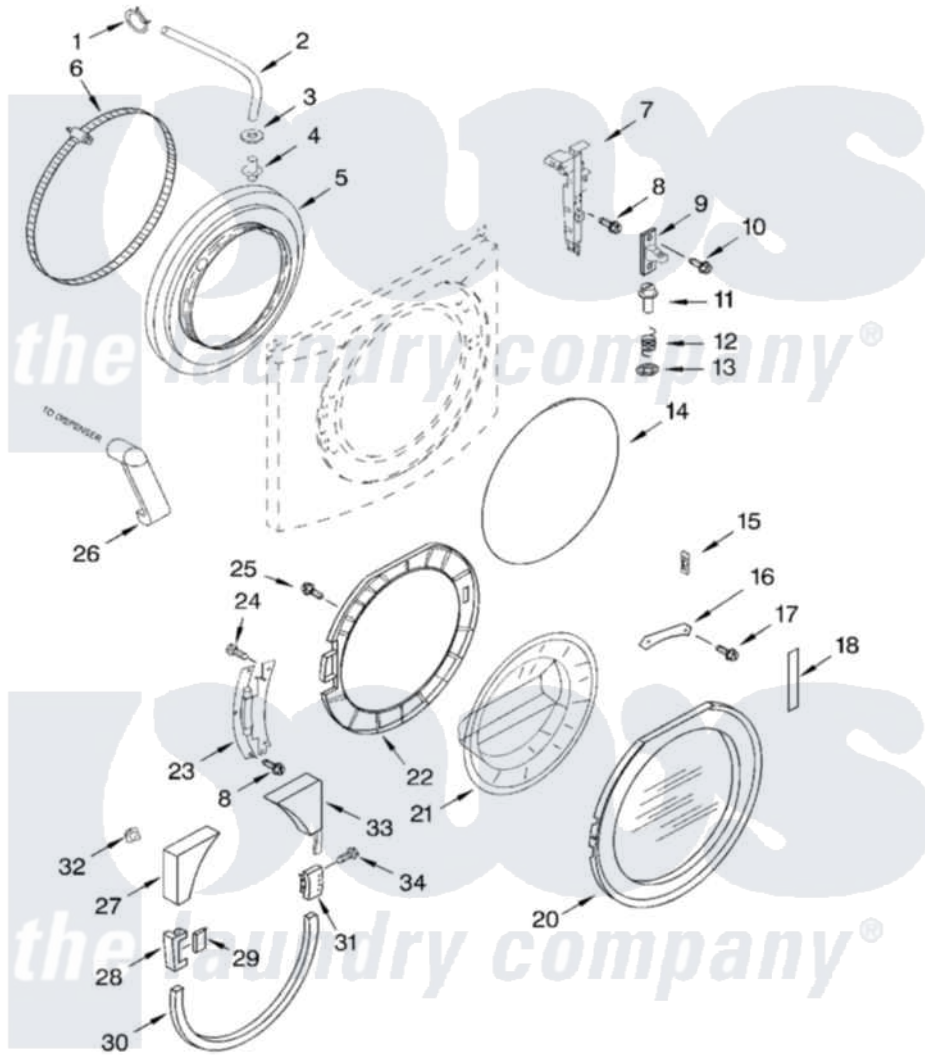


Whirlpool GHW9250MW0 02 - DOOR AND LATCH PARTS

DOOR AND LATCH PARTS

For Models: GHW9250MW0, GHW9250MQ0, GHW9250ML0, GHW9250MT0
 (White/Platinum) (White/Blue) (Pewter) (Biscuit)



8182051

3

Whirlpool Residential Whirlpool GHW9250MW0 Washer Parts Parts Diagram 02 - DOOR AND LATCH PARTS
 Click on the part number to view part

Item	Original Part Number	Replaced By	Status	Part Description
1	8181750	489503		Clamp
2	8181711			Hose, Box To Bellow
3	8181717			Washer
4	8181716			Nozzle, Inlet Window
5	8181850			Bellow
6	8181663	8182210		Clamp, Bellow
7	8181700	8182634		Lock, Door
8	8181760	8540725		Screw
9	8181651			Hook, Door
10	8181758	8182214		Screw
11	8181652			Pin, Safety
12	8181653			Spring
13	8181654			Washer
14	8181664	8182211		Clamp, Bellow To Front Panel
15	8181659	W10128586		Clamp, Glass Support
16	8181650			Clamp, Glass

17	8181785		Screw
18	8181845		Foam, Door Handle
20	8182043	8182989	Frame
"	8182044	8182992	Door Frame Assembly
"	8182086	8182990	Frame
"	8182087	Not Available	Door Frame Asm (Biscuit)
21	8181655		Glass, Door
22	8181849	W10322338	Frame
"	8181658	W10163308	Frame
23	8181843		Hinge, Door
24	8181660		Screw
25	8181661		Screw, Actuator
26	8181718		Tube, Dispenser To Bellow
27	8181842		Trim, Upper Left
"	8181875		Trim, Upper Left
"	8182078	Not Available	Trim, Upper Left (Pewter)
"	8182079		Trim, Upper Left
28	8181841		Cover, Hinge
"	8181874		Cover, Hinge
"	8182082	Not Available	Cover, Hinge (Outer) (Pewter)
"	8182083	Not Available	Cover, Hinge (Outer) (Biscuit)
29	8181844		Cover, Hinge
"	8181876		Cover, Hinge
"	8182074		Cover, Hinge
"	8182075	Not Available	Cover, Hinge (Inner) (Biscuit)
30	8181840		Trim, Lower
"	8181873		Trim, Lower
"	8182072		Trim, Lower
"	8182073	Not Available	Trim, Lower (Biscuit)
31	8181846		Handle, Door
"	8181877		Handle, Door
"	8182080		Handle, Door
"	8182081		Handle, Door
32	8181929		Clip, Trim
33	8181839		Trim, Upper Right
"	8181872		Trim, Upper Right
"	8182076		Trim, Upper Right
"	8182077		Trim, Upper Right
34	8181759	3400805	Screw, 8-18 X 3/64