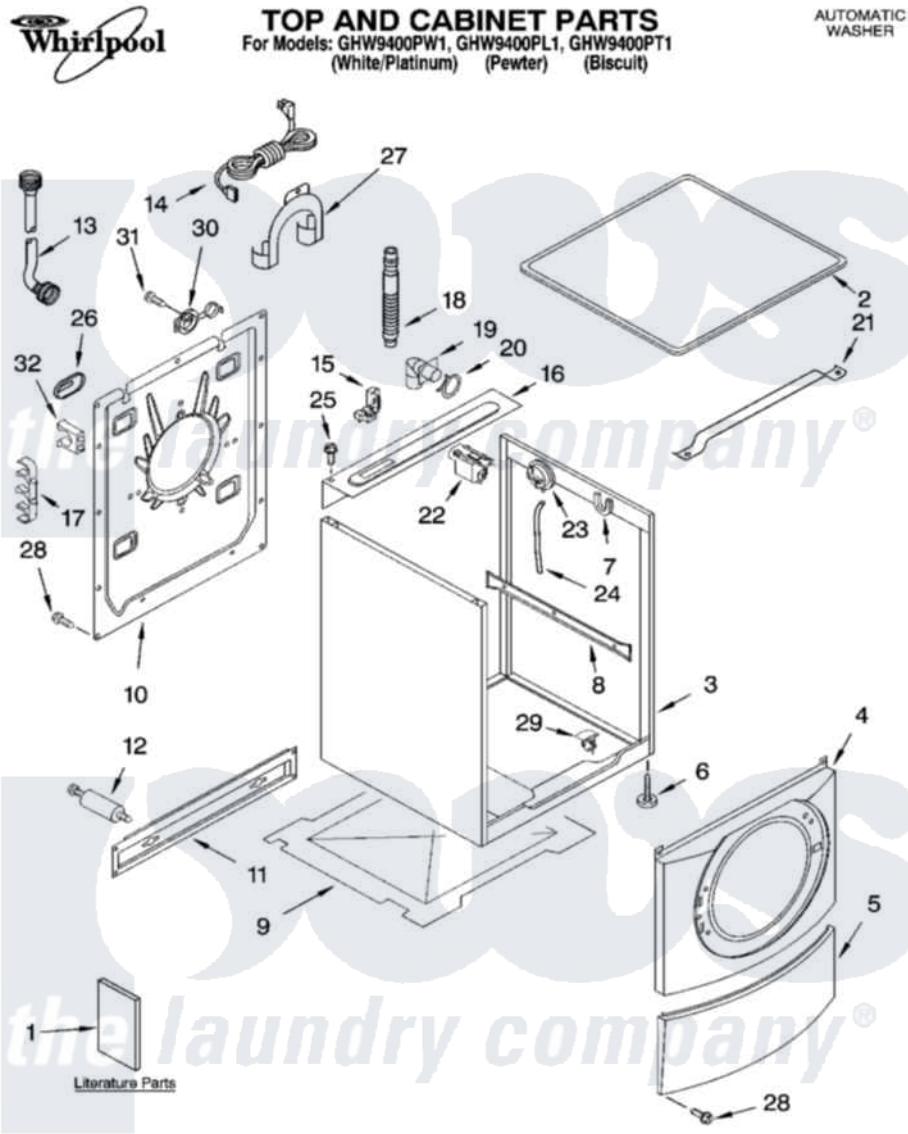


Whirlpool GHW9400PT1 01 - TOP AND CABINET PARTS



Whirlpool Residential Whirlpool GHW9400PT1 Washer Parts Parts Diagram 01 - TOP AND CABINET PARTS
 Click on the part number to view part

Item	Original Part Number	Replaced By	Status	Part Description
1	8182676		Not Available	Use & Care Guide
"	8182677			Tech Sheet
"	8182278		Not Available	Energy Guide
"	8182270		Not Available	DVD-Instruction
"	8182658			Quick Start Guide
2	8181641			Top
"	8182061			Top
"	8181830			Top
3	8181630	8182609		Cabinet
"	8182063			Cabinet
"	8181805			Cabinet
4	8181838			Panel, Front
"	8182060			Panel, Front
"	8182059			Panel, Front
5	8181643			Toe Panel
"	8182062			Toe Panel

"	8181809		Toe Panel
6	8181636		Foot, Leveling
7	8181763		Bracket, Spring
8	8181634		Brace, Side Panel
9	8181635		Pan, Bottom
10	8182698		Panel, Rear
11	8182661	W10003040	Brace, Transport
12	8182124	W10289554A	Bolt
"	8182125	W10289554A	Bolt
13	8181706	76314	Hose, Inlet 6 Ft. Hose With Elbow
"	8181707	76314	Hose, Inlet 6 Ft. Hose With Elbow
14	8182649		Cord, Power
15	8181690	8182635	Strain Relief
16	8182116	W10138248	Brace, Rear
17	8182701		Clip, Outer Hose Holder
18	8181737		Hose, Drain
19	8181738		Connector, Hose Outlet
20	8181752	3367052	Clamp, Hose
21	8181632		Brace, Top
22	8181683	W10326464	Filter, Interference
23	8181695		Switch, Pressure
24	8181739	W10004260	Hose, Pressure Switch
25	8181691		Screw
26	8182700	8540268	Cover, Transport
27	8181768	W10280024	U-Bend, Drain Hose
28	8181828	488729	Screw
29	8181930	W10085220	Microswitch
30	8182699		Grommet, Cord Support
31	8182201		Screw, 3 X 8 mm
32	8182702		Clip, Outer Hose Holder
"	N/A	Not Available	FOLLOWING PARTS NOT ILLUSTRATED
"	8182109		Harness Channel

