

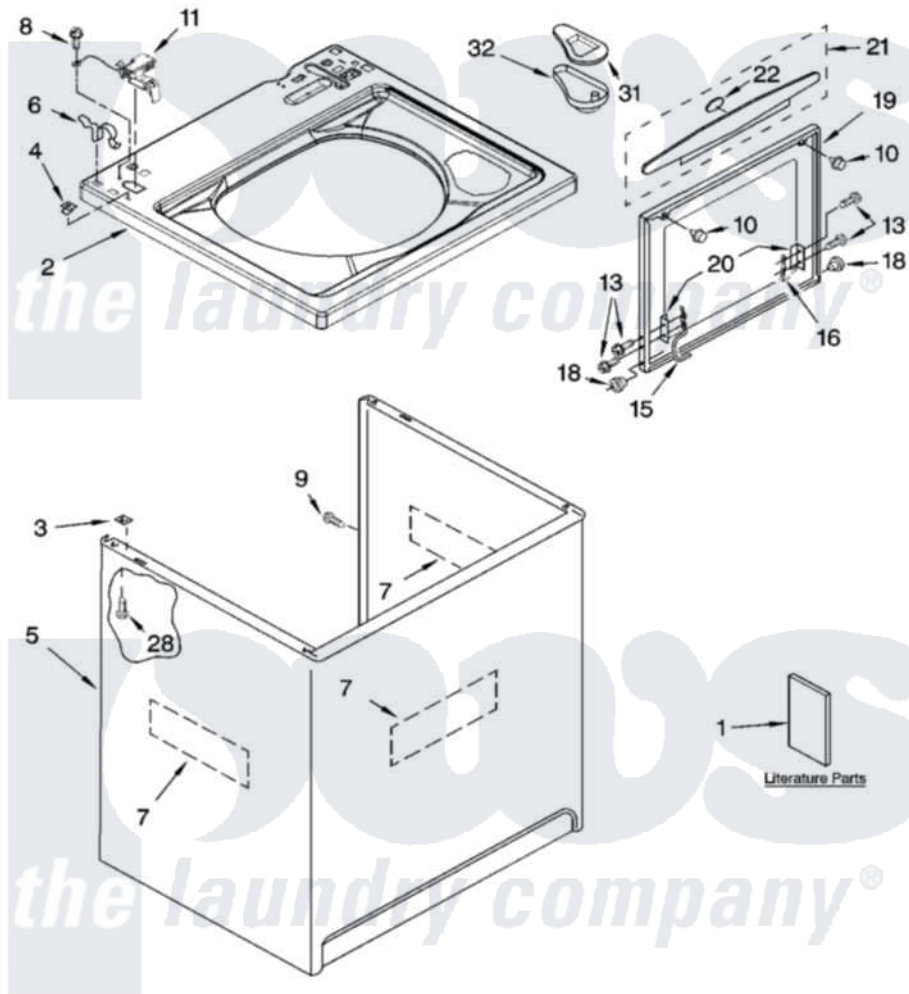
Whirlpool GST9630PG1 01 - TOP AND CABINET PARTS



TOP AND CABINET PARTS

For Models: GST9630PW1, GST9630PG1, GST9630PL1
(White/Grey) (Biscuit/Gold) (Pewter)

AUTOMATIC
WASHER



9-04 Litho in U.S.A. (dtd)

1

Part No. 8180558

[Whirlpool Residential Whirlpool GST9630PG1 Washer Parts](#) Parts Diagram 01 - TOP AND CABINET PARTS
Click on the part number to view part

| Item | Original Part Number | Replaced By | Status | Part Description |
|------|-------------------------|-------------|---------------|--|
| 1 | 3956025 | | Not Available | Installation Instructions |
| " | 3955869 | | Not Available | Use & Care Guide |
| " | 3955903 | | Not Available | Feature Sheet |
| " | 3956926 | | Not Available | Energy Guide |
| " | 8565442 | | Not Available | Wiring Diagram |
| " | N/A | | Not Available | Following May Be Purchased DO-IT-YOURSELF REPAIR MANUALS |
| " | 4313896 | | | Do-It-Yourself Repair Manuals |
| 2 | 8543447 | | | Top |
| " | 8543448 | | | Top |
| " | 8543449 | | | Top |
| 3 | 62750 | | | Spacer, Cabinet To Top (4) |
| 4 | 357213 | | | Nut, Push-In |
| 5 | 63424 | | | Cabinet |
| " | 3954357 | | | Cabinet |
| " | 3956112 | | | Cabinet |

| | | | |
|----|-------------------------|---------------------------|--------------------------------------|
| 6 | 62780 | | Clip, Top And Cabinet And Rear Panel |
| 7 | 3976348 | | Absorber, Sound |
| 8 | 3351614 | | Screw, Gearcase Cover Mounting |
| 9 | 3357011 | 308685 | Side Trim) |
| 10 | 9724509 | | Bumper, Lid |
| 11 | 8318084 | | Switch, Lid |
| 13 | 355274 | W10119828 | Screw, Lid Hinge Mounting |
| 15 | 8559336 | W10225136 | Hinge 7 Pad Assembly |
| 16 | 91770 | | Hinge, Lid |
| 18 | 8319539 | | Bearing, Lid Hinge |
| 19 | 8558401 | W10193861 | Lid |
| " | 8558402 | W10193862 | Lid |
| " | 8558400 | 3957557 | Lid |
| 20 | 21097 | | Pad, Lid Hinge |
| 21 | 3956011 | | Handle, Lid |
| " | 3956012 | | Handle, Lid |
| 22 | 3956010 | | Insert, Handle |
| 28 | 3390631 | | Screw, 10-16 X 3/8 |
| 31 | 3956079 | 3955788 | Cover, Dispenser |
| 32 | 8519517 | | Dispenser, Bleach |

