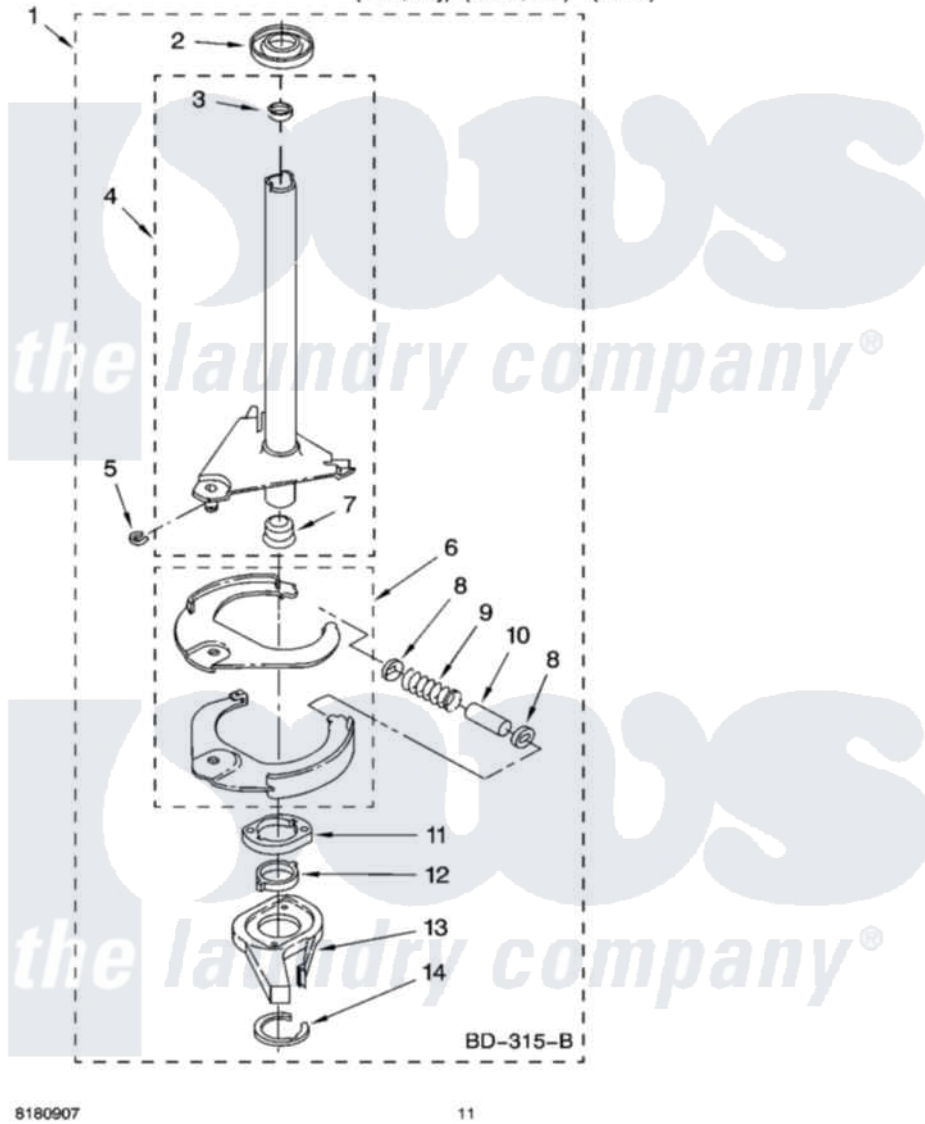


Whirlpool GST9630PG3 07 - BRAKE AND DRIVE TUBE PARTS

BRAKE AND DRIVE TUBE PARTS

For Models: GST9630PW3, GST9630PG3, GST9630PL3
(White/Grey) (Biscuit/Gold) (Pewter)



8180907

11

Whirlpool Residential Whirlpool GST9630PG3 Washer Parts Parts Diagram 07 - BRAKE AND DRIVE TUBE PARTS
Click on the part number to view part

| Item | Original Part Number | Replaced By | Status | Part Description |
|------|------------------------|---------------------------|---------------|---------------------------------|
| 1 | 388952 | 285792 | | Basketdrive |
| 2 | 62658 | | | Ring, Thrust |
| 3 | 356427 | | | Seal, Spin Pinion |
| 4 | 64027 | 64208 | | Tube-Spin |
| 5 | 64035 | W10083190 | | Ring, Retaining |
| 6 | 64232 | 285438 | | Shoe-Brake |
| 7 | 62703 | 8546462 | | "T" Bearing, Spin Tube |
| 8 | 3353956 | 285658 | | Sleeve |
| 9 | 387806 | | Not Available | Spring, Brake |
| 10 | 3355360 | 285658 | | Sleeve |
| 11 | 661516 | 8546461 | | Cam, Brake Release |
| 12 | 63022 | | | Sleeve, Cam |
| 13 | 64194 | 285790 | | Lining |
| 14 | 90368 | W10083200 | | Ring, Retaining |
| " | N/A | | Not Available | FOLLOWING PARTS NOT ILLUSTRATED |
| " | 285208 | | | Lubricant |

