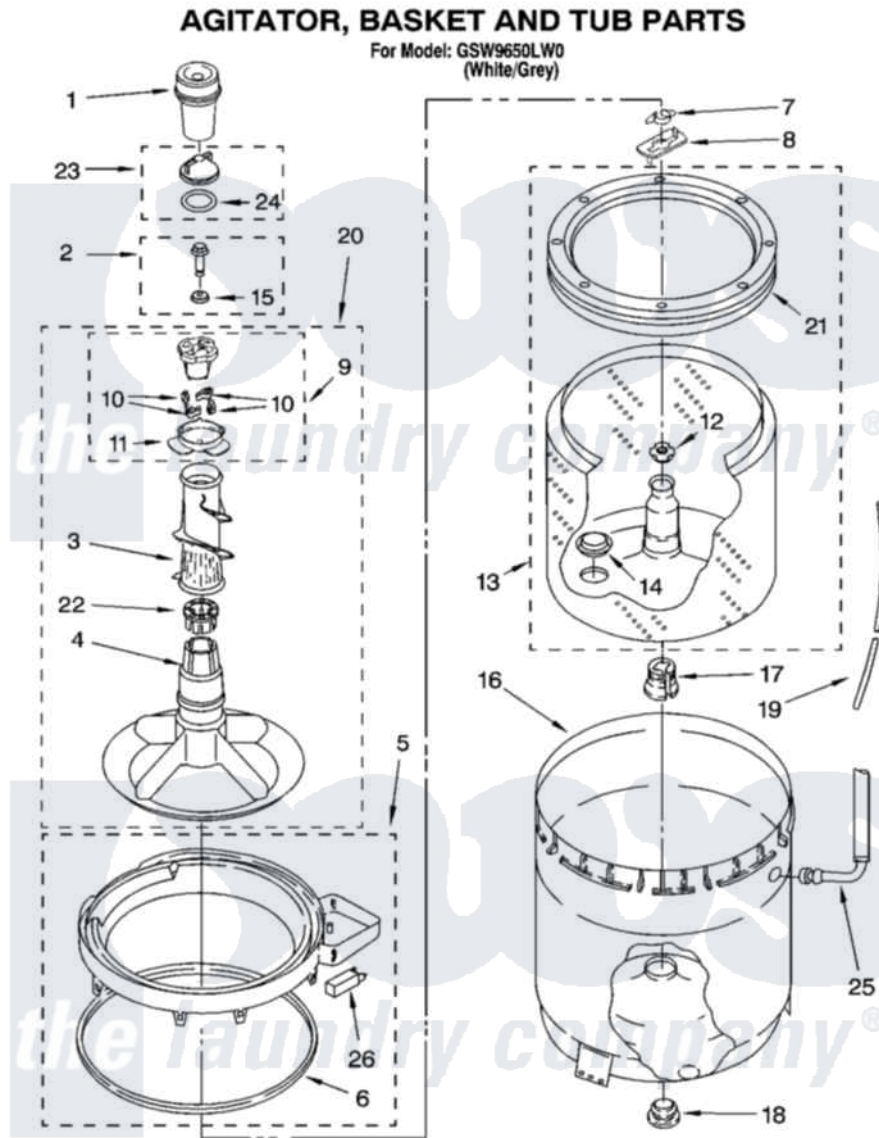


# Whirlpool GSW9650LW0 03 - AGITATOR, BASKET AND TUB PARTS



8179867

5

Whirlpool [Residential Whirlpool GSW9650LW0 Washer Parts](#) Parts Diagram 03 - AGITATOR, BASKET AND TUB PARTS

[Click on the part number to view part](#)

Item	Original Part Number	Replaced By	Status	Part Description
1	<a href="#">63580</a>			Dispenser, Fabric Softener
2	<a href="#">358237</a>			Screw And Washer
3	<a href="#">3363003</a>			Mover, Clothes
4	<a href="#">3347288</a>			Agitator
5	3954507	<a href="#">W10213410</a>		Ring-Tub
6	3359585	<a href="#">3976308</a>		Gasket, Tub Ring
7	<a href="#">3354845</a>			Clip, Agitator
8	3355921	<a href="#">8543666</a>		Washer, Agitator
9	3363663	<a href="#">285811</a>		Cam-Agitator
10	3366877	<a href="#">80040</a>		Dog-Agitator
11	<a href="#">3363661</a>			Bearing, Driven Cam
12	<a href="#">21366</a>			Nut, Spanner
13	8526016	<a href="#">W10389328</a>		Clothes Container, Assembly
14	8522271	<a href="#">285868</a>		Filter
15	<a href="#">3949550</a>			Washer
16	<a href="#">8283125</a>			Tub

17	<a href="#">389140</a>		Tub Block, Basket Drive
18	<a href="#">383727</a>		Gasket, Centerpodt
19	3347780	<a href="#">353244</a>	Hose, Pressure Switch
20	<a href="#">3946501</a>		Agitator, Assembly
21	8519788	<a href="#">387240</a>	Ring, Balance
22	3350389	<a href="#">285587</a>	Washer
23	3354733	<a href="#">W10074580</a>	Cap, Barrier
24	3348855	<a href="#">W10072840</a>	Fabric Softener
25	<a href="#">3948705</a>		Hose, Bleach
26	8318246	<a href="#">W10213410</a>	Ring-Tub

