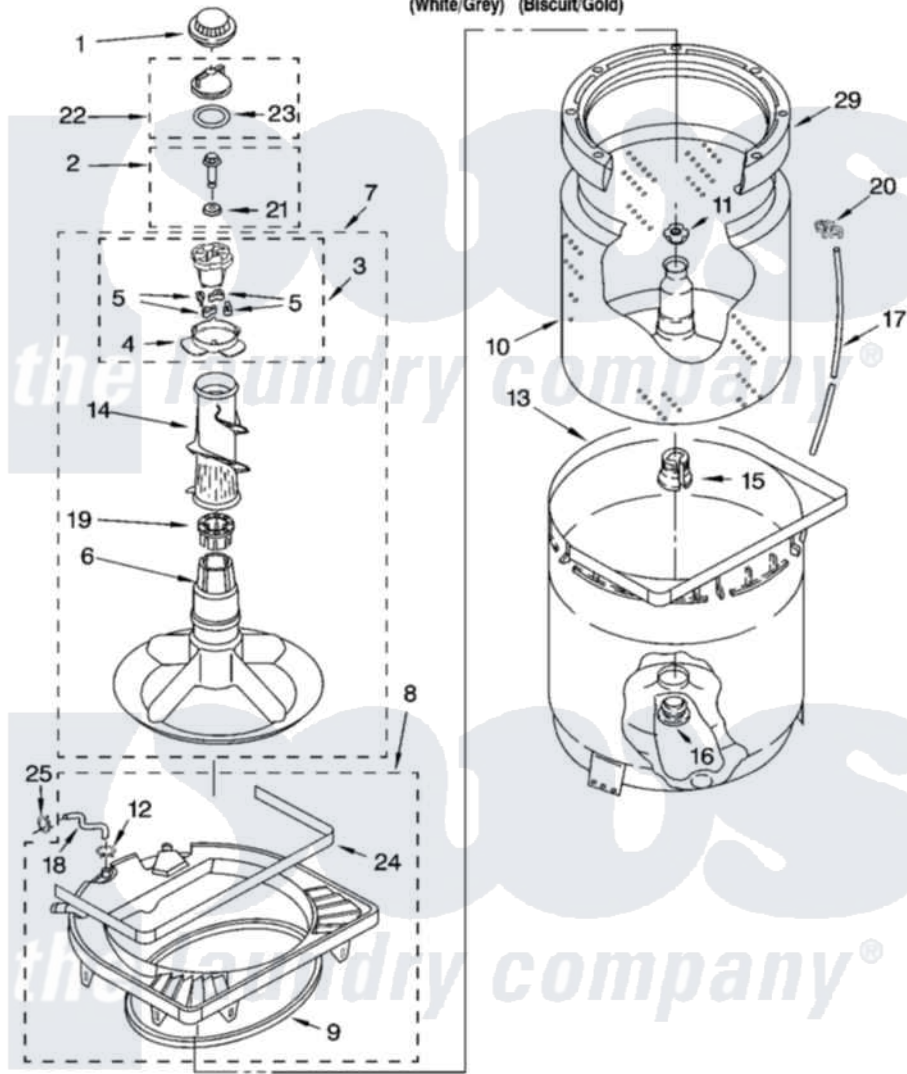


# Whirlpool GSX9750PW1 03 - AGITATOR, BASKET AND TUB PARTS

## AGITATOR, BASKET AND TUB PARTS

For Models: GSX9750PW1, GSX9750PG1  
(White/Grey) (Biscuit/Gold)



8161017

5

Whirlpool Residential Whirlpool GSX9750PW1 Washer Parts Parts Diagram 03 - AGITATOR, BASKET AND TUB PARTS

Click on the part number to view part

Item	Original Part Number	Replaced By	Status	Part Description
1	<a href="#">3355758</a>			Cap, Agitator
2	<a href="#">358237</a>			Screw And Washer
3	3951682	<a href="#">285809</a>		Cam-Agitator
4	<a href="#">3952374</a>			Bearing, Driven Cam
5	3366877	<a href="#">80040</a>		Dog-Agitator
6	<a href="#">3951632</a>			Agitator
7	<a href="#">3951744</a>			Agitator Assembly
8	8054686	<a href="#">285832</a>		Ring-Tub
9	<a href="#">8054355</a>			Gasket, Tub Ring
10	3951984	<a href="#">W10358259</a>		Basket Assembly
11	<a href="#">21366</a>			Nut, Spanner
12	301958	<a href="#">596669</a>		Clamp, Manifold
13	<a href="#">8055061</a>			Tub
14	<a href="#">3363003</a>			Mover, Clothes
15	<a href="#">389140</a>			Tub Block, Basket Drive
16	<a href="#">383727</a>			Gasket, Centerpod

17	3347780	<a href="#">353244</a>	Hose, Pressure Switch
18	<a href="#">8526793</a>		Hose, Bleach Outlet
19	<a href="#">3951608</a>		Spacer, Thrust
20	<a href="#">2219077</a>		Clip, Pressure Switch Hose
21	<a href="#">3949550</a>		Washer
22	3354733	<a href="#">W10074580</a>	Cap, Barrier
23	3348855	<a href="#">W10072840</a>	Fabric Softener
24	<a href="#">8055082</a>		Shield, Splash
25	3955674	<a href="#">596669</a>	Clamp, Manifold
29	<a href="#">8271897</a>		Balance Ring

  
*the laundry company*<sup>®</sup>

  
*the laundry company*<sup>®</sup>

  
*the laundry company*<sup>®</sup>