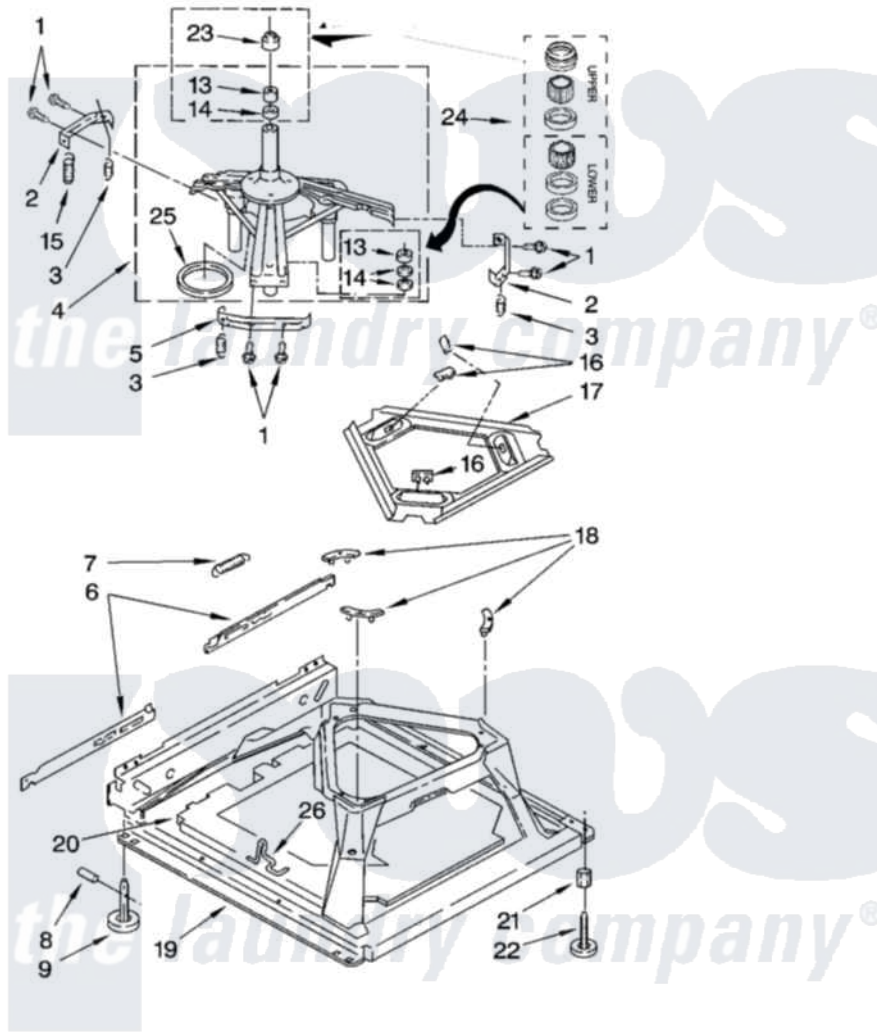


# Whirlpool GSX9750PW1 05 - MACHINE BASE PARTS

## MACHINE BASE PARTS

For Models: GSX9750PW1, GSX9750PG1  
(White/Grey) (Biscuit/Gold)



8

8181017

Whirlpool [Residential Whirlpool GSX9750PW1 Washer Parts](#) Parts Diagram 05 - MACHINE BASE PARTS  
Click on the part number to view part

Item	Original Part Number	Replaced By	Status	Part Description
1	<a href="#">3400076</a>			Screw, Bracket Mounting
2	8282552		Not Available	Bracket, Spring Outer (2)
3	<a href="#">63907</a>			Spring, Suspension
4	3362087	<a href="#">280184</a>		Support
5	<a href="#">8282550</a>			Bracket, Spring Outer
6	<a href="#">63466</a>			Link, Leveling Mechanism
7	62597	<a href="#">8316845</a>		Spring
8	<a href="#">62837</a>			Pin, Knurled
9	62596	<a href="#">285244</a>		Feet-Leveling
13	<a href="#">8546455</a>			Bearing, Centerpost
14	357409	<a href="#">359449</a>		Seal, Agitator Shaft
15	8318050	<a href="#">285901</a>		Spring
16	62568	<a href="#">285219</a>		Pad
17	<a href="#">3946509</a>			Plate, Suspension
18	3363660	<a href="#">285744</a>		Pad
19	3946512	<a href="#">285771</a>		Base

20	<a href="#">8544816</a>		Absorber, Sound
21	<a href="#">3359452</a>		Nut, Lock
22	389102	<a href="#">W10001130</a>	Foot, Leveling
23	<a href="#">8577376</a>		Seal, Centerpost
24	<a href="#">285203</a>		Centerpost Bearing Kit
25	<a href="#">63134</a>		Ring, Sound Deadening
26	63806	<a href="#">W10145155</a>	Retainer, Suspension Spring

