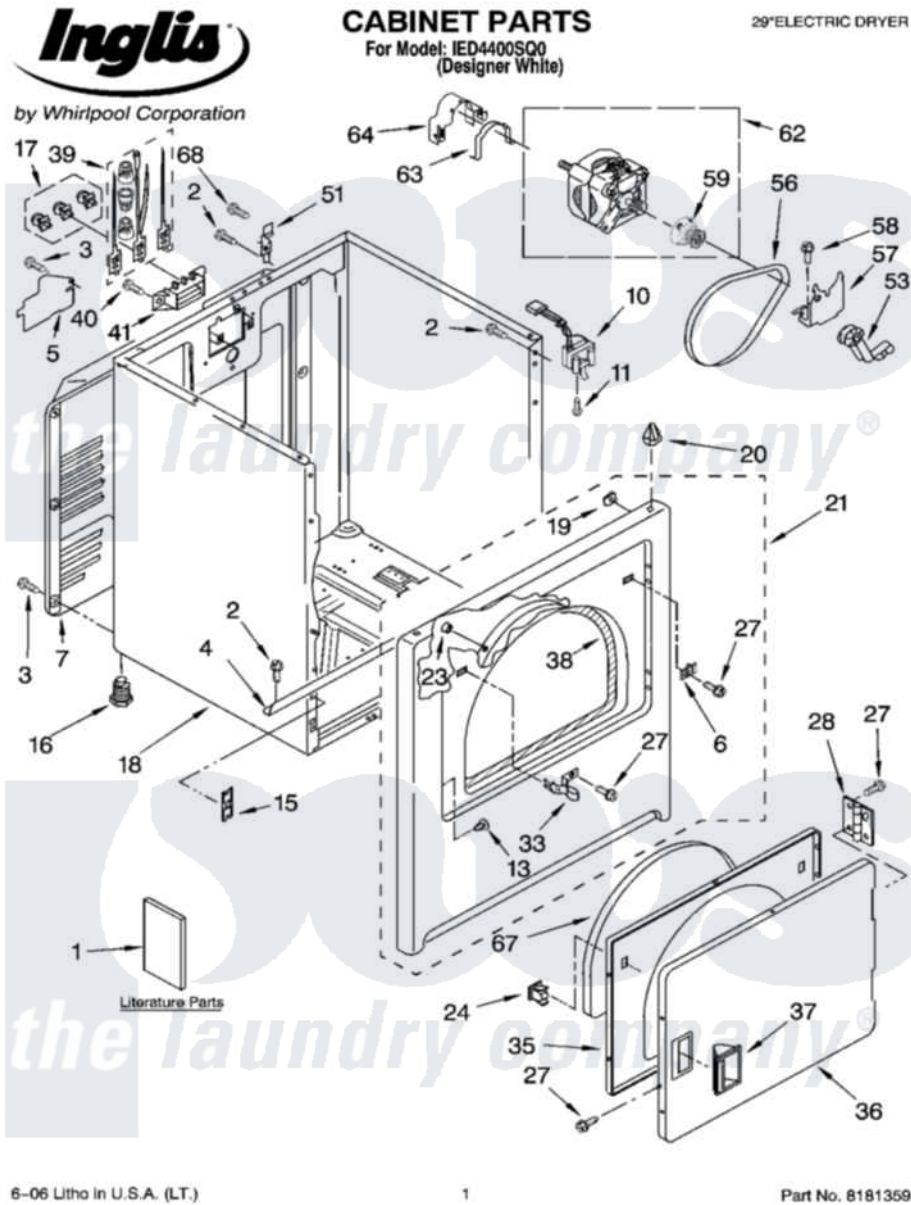


Whirlpool IED4400SQ0 01 - CABINET PARTS



6-06 Litho in U.S.A. (LT.)

1

Part No. 8181359

Whirlpool [Residential Whirlpool IED4400SQ0 Dryer Parts](#) Parts Diagram 01 - CABINET PARTS
 Click on the part number to view part

Item	Original Part Number	Replaced By	Status	Part Description
1	8577187		Not Available	Instructions, Installation
"	W10042990		Not Available	Sheet, Cycle Feature
"	8578202		Not Available	Guide, Use & Care
"	8528190		Not Available	Wiring Diagram
"	BLANK		Not Available	Following May Be Purchased DO-IT-YOURSELF REPAIR MANUALS
"	677818		Not Available	Manual, Do-It- Yourself Repair (Dryer)
2	343641	681414		Screw, 10AB X 1/2
3	693995			Screw, Hex Head
4	8541400			Bracket, Cabinet
5	3396795			Cover, Terminal Block
6	3403630			Plug, Strike Hole
7	3396805	280043		Panel-Rear
10	3406109	3406107		Door Switch Assembly
11	697773	3395530		Screw

13	3404413		Plug, Hinge Hole
15	3394083		Clip, Front Panel
16	3392100	49621	Feet-Leveling
"	279810		Foot-Optional
17	279318		Terminal Tinned And Brass Panel
18	8530603	8533643	Cabinet
19	98234		Clip, U-Bend
20	690363	18776	Lock, Front Top
21	3403444	279852	Panel
23	685203	279220	Clip
24	3389441		Door Catch Assembly
27	342055	488627	Screw
28	3405514	W10362431	Hinge And Pin Assembly
33	3403431		Strike, Panel
35	3402341		Door, Inner
36	3402335		Door, Front
37	3405184		Handle, Door
38	3406129		Seal And Bearing Assembly
39	279393		Terminal Block Screw Kit
40	3393008	308685	Side Trim)
41	3397659		Block, Terminal
51	8066217		Hinge, Top
53	691366		Idler And Pulley Assembly
56	8066065	341241	Belt
57	348780		Base, Motor
58	3400500		Bolt, 3405245 5/16-18 X 3/4
59	8066184		Pulley, Motor
62	8066206	279827	Motor-Drve
63	660658		Clamp, Motor Mounting 343481 685441
64	3404162		Clamp, Motor
67	3405246		Seal, Door Push-To-Start
68	697776	4331106	Screw, No.10-32 X 7/16

