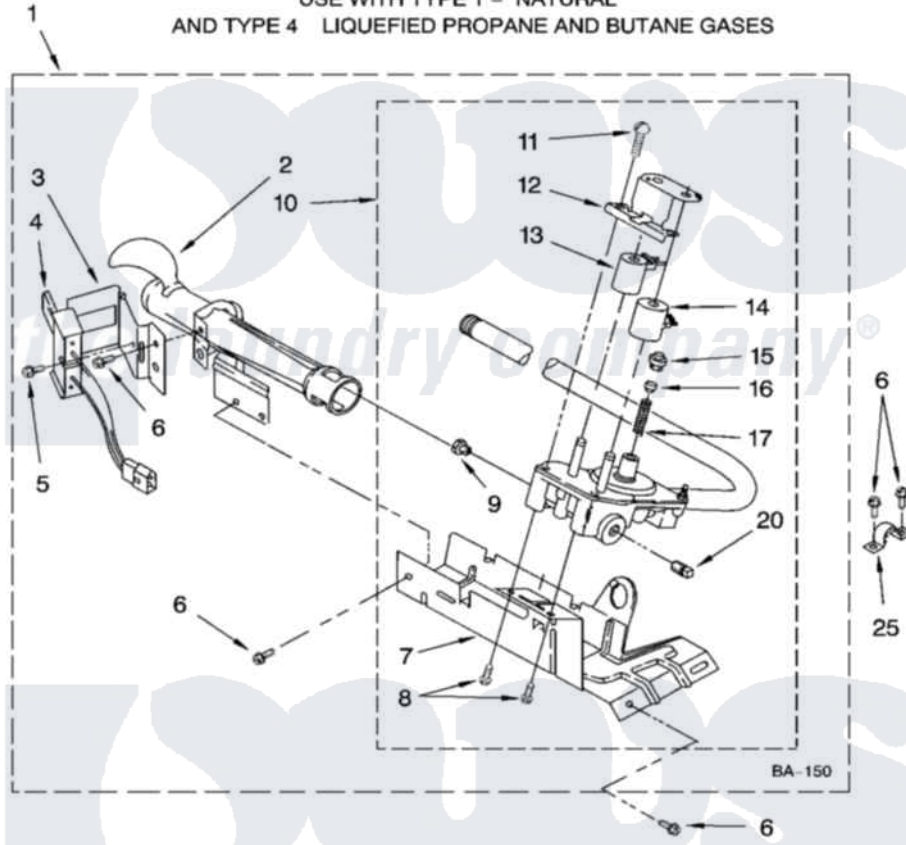


# Whirlpool IJ70002 03 - 8318272 BURNER ASSEMBLY

## 8318272 BURNER ASSEMBLY

For Model: IJ70002  
(Designer White)

USE WITH TYPE 1 - NATURAL  
AND TYPE 4 LIQUEFIED PROPANE AND BUTANE GASES



8179711

5

Whirlpool [Residential Whirlpool IJ70002 Dryer Parts](#) Parts Diagram 03 - 8318272 BURNER ASSEMBLY  
Click on the part number to view part

Item	Original Part Number	Replaced By	Status	Part Description
1	8318272	<a href="#">W10465748</a>		Burner-Gas
2	688617	<a href="#">693140</a>		Burner
3	<a href="#">694298</a>			Bracket, Ignitor
4	686590	<a href="#">279311</a>		Ignitor
5	<a href="#">3393909</a>			Screw, 8-32 X 7/8
6	343641	<a href="#">681414</a>		Screw, 10AB X 1/2
7	693986			Base, Burner
8	<a href="#">3387057</a>			Screw, 10-16 X 1/2 Orifice, Burner
9	<a href="#">234826</a>			Orifice, Burner Type 1
"	<a href="#">229742</a>			Orifice, Burner
"	<a href="#">234868</a>			Orifice, Burner
10	8318277	<a href="#">W10337269</a>		Valve-Gas
11	<a href="#">694421</a>			Screw, Bracket Mounting
12	<a href="#">694538</a>			Bracket, Shunt
13	<a href="#">694540</a>			Coil, 60 Hz
14	<a href="#">694539</a>			Coil, 60 Hz

15	<a href="#">694424</a>		Leak, Limiter
16	<a href="#">694423</a>		Screw, Regulator Adjustment
17	<a href="#">694422</a>		Spring, Regulator
20	239822	<a href="#">W10295523</a>	Plug, Pipe
25	<a href="#">341029</a>		Clamp, Pipe Door Spring
"	BLANK	Not Available	Following Parts Not Illustrated
"	694572	<a href="#">49572A</a>	Conversion Kit To Type L.p.g.f

