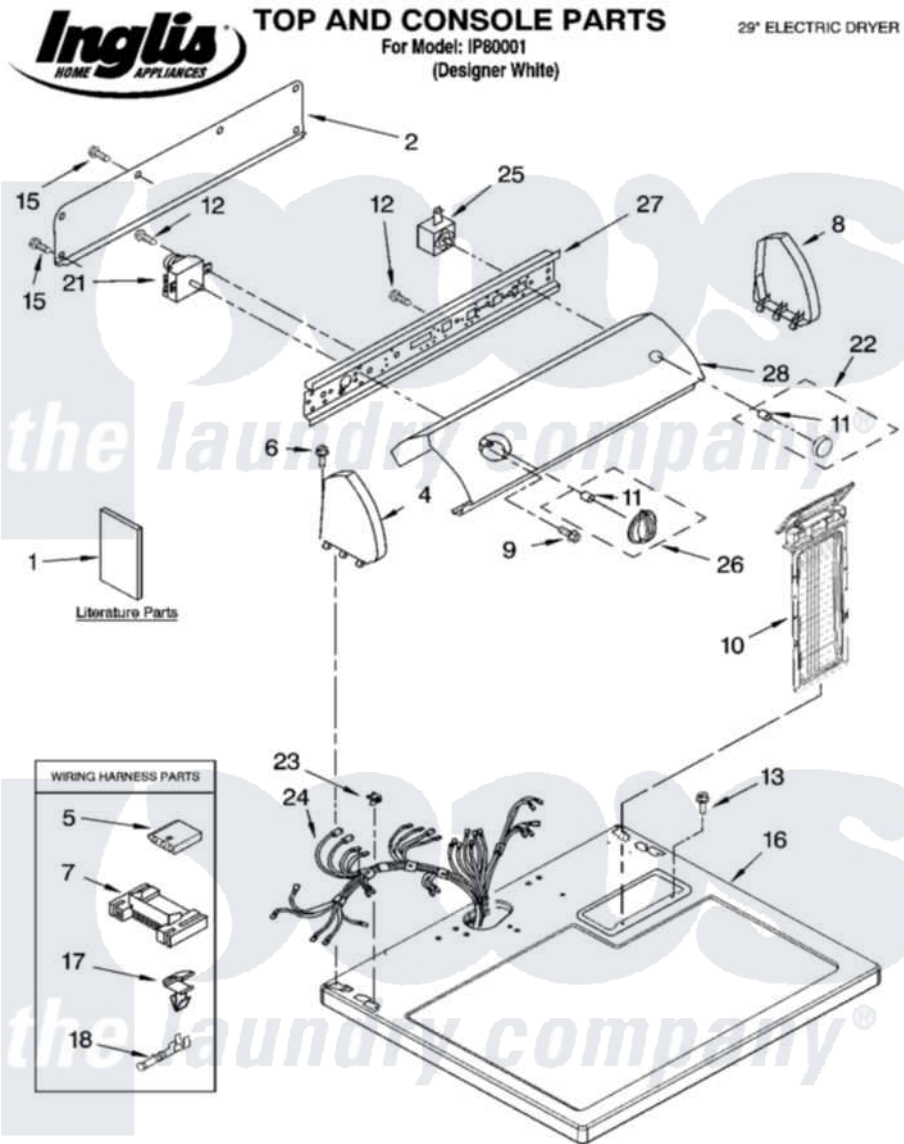


# Whirlpool IP80001 01 - TOP AND CONSOLE PARTS



10-05 Litho in U.S.A. (RCG)

1

Part No. 8180933

Whirlpool [Residential Whirlpool IP80001 Dryer Parts](#) Parts Diagram 01 - TOP AND CONSOLE PARTS

[Click on the part number to view part](#)

Item	Original Part Number	Replaced By	Status	Part Description
1	8578197		Not Available	Use & Care Guide
"	8535831		Not Available	Instructions, Installation
"	8533784		Not Available	Sheet, Cycle Feature
"	8528189		Not Available	Wiring Diagram
"	BLANK		Not Available	Following May Be Purchased DO-IT-YOURSELF REPAIR MANUALS
"	677818		Not Available	Manual, Do-It- Yourself Repair (Dryer)
2	<a href="#">8274261</a>			Do-It-Yourself Repair Manuals
4	8271365	<a href="#">279962</a>		Endcap
5	<a href="#">3936144</a>			Do-It-Yourself Repair Manuals
6	<a href="#">388326</a>			Screw, 8-18 X 1.25
7	<a href="#">3395683</a>			Receptacle, Multi-Terminal
8	8271359	<a href="#">279962</a>		Endcap
9	8533951	<a href="#">3400859</a>		Screw, Grounding
10	<a href="#">8558467</a>			Screen, Lint

11	<a href="#">8536939</a>		Clip, Knob
12	8533971	<a href="#">90767</a>	Screw, 8A X 3/8 HeX Washer Head Tapping
13	688983	<a href="#">487240</a>	Screw, For Mtg. Service Capacitor
15	<a href="#">693995</a>		Screw, Hex Head
16	8557930	<a href="#">8563985</a>	Top
17	<a href="#">3394427</a>		Clip-Harness
18	<a href="#">94614</a>		Terminal
21	<a href="#">8299778</a>		Timer, 60 Hz
22	<a href="#">8544941</a>		Knob, Push-To-Start
23	<a href="#">357213</a>		Nut, Push-In
24	8299868	Not Available	Harness, Wiring
25	<a href="#">3977456</a>		Switch, Push-To-Start
26	8543273	Not Available	Timer Knob Assembly (Grey)
27	<a href="#">8271418</a>		Bracket, Control
28	8557463	Not Available	Panel, Control

