

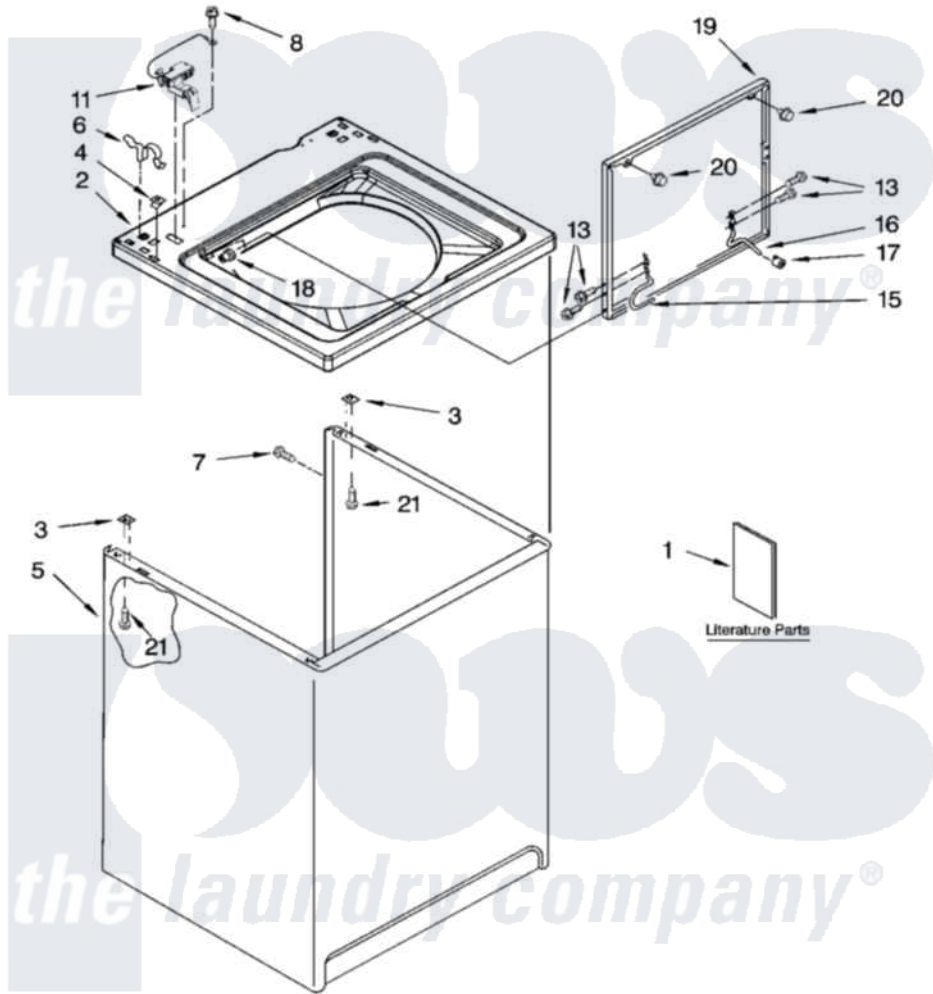
# Whirlpool ITW4100SQ0 01 - TOP AND CABINET PARTS



## TOP AND CABINET PARTS

For Model: ITW4100SQ0  
(White)

AUTOMATIC  
WASHER



7-06 Litho in U.S.A. (dtd)

1

Part No. 8181408

[Whirlpool Residential Whirlpool ITW4100SQ0 Washer Parts](#) Parts Diagram 01 - TOP AND CABINET PARTS  
Click on the part number to view part

Item	Original Part Number	Replaced By	Status	Part Description
1	<a href="#">W10044800</a>			Installation Instructions
"	3955887		Not Available	Use & Care Guide
"	3957879		Not Available	Feature Sheet
"	W10023794		Not Available	Energy Guide
"	8578915		Not Available	Wiring Diagram
2	<a href="#">8318068</a>			Top
3	62750			Spacer, Cabinet To Top (4)
4	<a href="#">357213</a>			Nut, Push-In
5	<a href="#">63424</a>			Cabinet
6	<a href="#">62780</a>			Clip, Top And Cabinet And Rear Panel
7	3357011	<a href="#">308685</a>		Side Trim )
8	<a href="#">3351614</a>			Screw, Gearcase Cover Mounting
11	<a href="#">8318084</a>			Switch, Lid
13	3351355	<a href="#">W10119828</a>		Screw, Lid Hinge Mounting
15	<a href="#">8318088</a>			Hinge, Lid

16	<a href="#">54583</a>		Hinge, Lid
17	<a href="#">19119</a>		Bumper, Lid Hinge
18	<a href="#">21258</a>		Bearing, Lid Hinge
19	8580061	<a href="#">W1019385Z</a>	Lid
20	<a href="#">9724509</a>		Bumper, Lid
21	<a href="#">3390631</a>		Screw, 10-16 X 3/8

