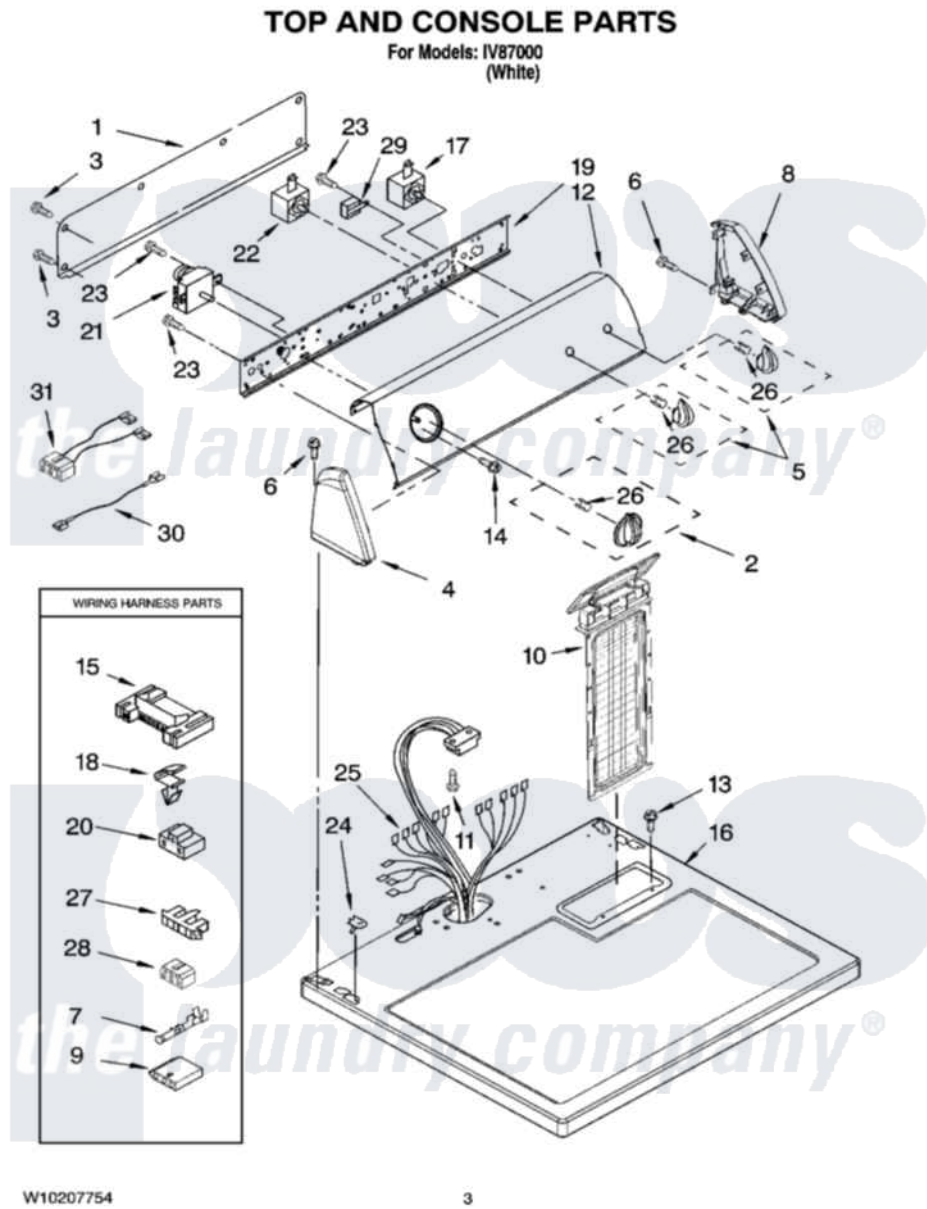


# Whirlpool IV87000 02 - TOP AND CONSOLE PARTS



Whirlpool [Residential Whirlpool IV87000 Dryer Parts](#) Parts Diagram 02 - TOP AND CONSOLE PARTS  
Click on the part number to view part

Item	Original Part Number	Replaced By	Status	Part Description
1	<a href="#">8274261</a>			Do-It-Yourself Repair Manuals
2	8543273		Not Available	Timer Knob Assembly (Grey)
3	<a href="#">693995</a>			Screw, Hex Head
4	8271365	<a href="#">279962</a>		Endcap
5	8543270		Not Available	Knob, Control (3) (Grey)
6	<a href="#">388326</a>			Screw, 8-18 X 1.25
7	<a href="#">94614</a>			Terminal
8	8271359	<a href="#">279962</a>		Endcap
9	<a href="#">3936144</a>			Do-It-Yourself Repair Manuals
10	<a href="#">8558463</a>			HANDLE AND LINT SCREEN ASSEMBLY
11	343641	<a href="#">681414</a>		Screw, 10AB X 1/2
12	W10167871		Not Available	Panel, Control
13	688983	<a href="#">487240</a>		Screw, For Mtg. Service Capacitor
14	8533951	<a href="#">3400859</a>		Screw, Grounding
15	<a href="#">3395683</a>			Receptacle, Multi-Terminal

16	8557930	<a href="#">8563985</a>	Top
17	<a href="#">3398095</a>		Switch, Push-To-Start
18	<a href="#">3394427</a>		Clip-Harness
19	<a href="#">8271418</a>		Bracket, Control
20	<a href="#">3401144</a>		Connector
21	<a href="#">3979617</a>		Timer, 60 Hz
22	<a href="#">3399640</a>		Switch, Rotary
23	8533971	<a href="#">90767</a>	Screw, 8A X 3/8 HeX Washer Head Tapping
24	<a href="#">357213</a>		Nut, Push-In
25	8299874	Not Available	Harness, Wiring
26	<a href="#">8536939</a>		Clip, Knob
27	<a href="#">3397269</a>		Connector, Timer
28	<a href="#">3347243</a>		Block, Disconnect
29	<a href="#">694419</a>		Mini-Buzzer
30	<a href="#">3401684</a>		Jumper, Wire
31	<a href="#">3976562</a>		Jumper, Wire

