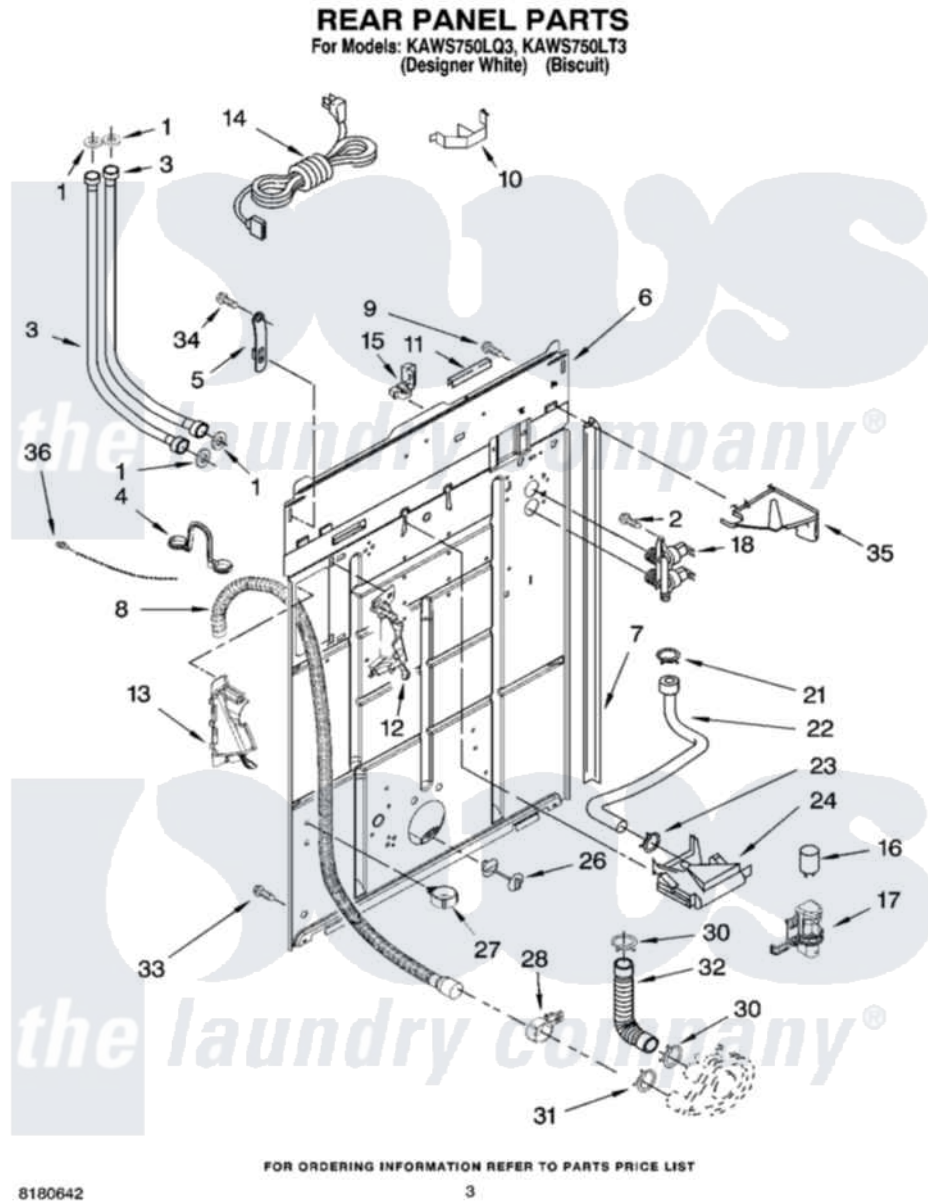


# Whirlpool KAWS750LT3 02 - REAR PANEL PARTS



Whirlpool [Residential Whirlpool KAWS750LT3 Washer Parts](#) Parts Diagram 02 - REAR PANEL PARTS  
Click on the part number to view part

Item	Original Part Number	Replaced By	Status	Part Description
1	3976300	<a href="#">16123</a>		Washer Inlet-Hose Miscellaneous Parts Must be Ordered Separately.
2	<a href="#">9740848</a>			Screw, Mixing Valve Mounting
3	8571377	<a href="#">89503</a>		Hose-Inlet
"	8571378	<a href="#">89503</a>		Hose-Inlet
4	8541672	<a href="#">8577378</a>		U-Bend, Drain Hose
5	<a href="#">8568314</a>			Strap, Console
6	<a href="#">8318015</a>			Panel, Rear
7	<a href="#">62747</a>			Pad, Rear Panel
8	8559373	<a href="#">W10096921</a>		Drain Hose Assembly
9	<a href="#">3351614</a>			Screw, Gearcase Cover Mounting
10	<a href="#">8055003</a>			Clip, Harness And Pressure Switch
11	303294	<a href="#">3367669</a>		Protector, Edge
12	<a href="#">8541669</a>			Bucket, Drain Hose
"	BLANK		Not Available	(Left Half)

13	<a href="#">8541658</a>		Bucket, Drain Hose
"	BLANK	Not Available	(Right Half)
14	661661	<a href="#">285800</a>	Cord-Power
15	3952821	<a href="#">285777</a>	Relief-Str
16	<a href="#">8572720</a>		Capacitor, Motor Start
17	<a href="#">8318046</a>		Clip, Capacitor
18	3955673	<a href="#">285805</a>	Valve-Inlet
21	301958	<a href="#">596669</a>	Clamp, Manifold
22	8541607	<a href="#">3357328</a>	Hose, Vacuum Break
23	370450	<a href="#">596669</a>	Clamp, Manifold
24	387606	<a href="#">3360977</a>	Break-Vac
26	<a href="#">8519200</a>		Support, Rear Panel
27	<a href="#">8541667</a>		Clamp, Hose
28	<a href="#">8541668</a>		Clamp, Hose
30	3363366	<a href="#">616099</a>	Clamp
31	8317496	<a href="#">285655</a>	Clamp, Hose
32	3951449	<a href="#">285871</a>	Hose
33	62863	<a href="#">3390631</a>	Screw, 10-16 X 3/8
34	<a href="#">90767</a>		Screw, 8A X 3/8 HeX Washer Head Tapping
35	<a href="#">8539874</a>		Shield, Suds
36	3347868	<a href="#">W10339879</a>	Tie, Cable

