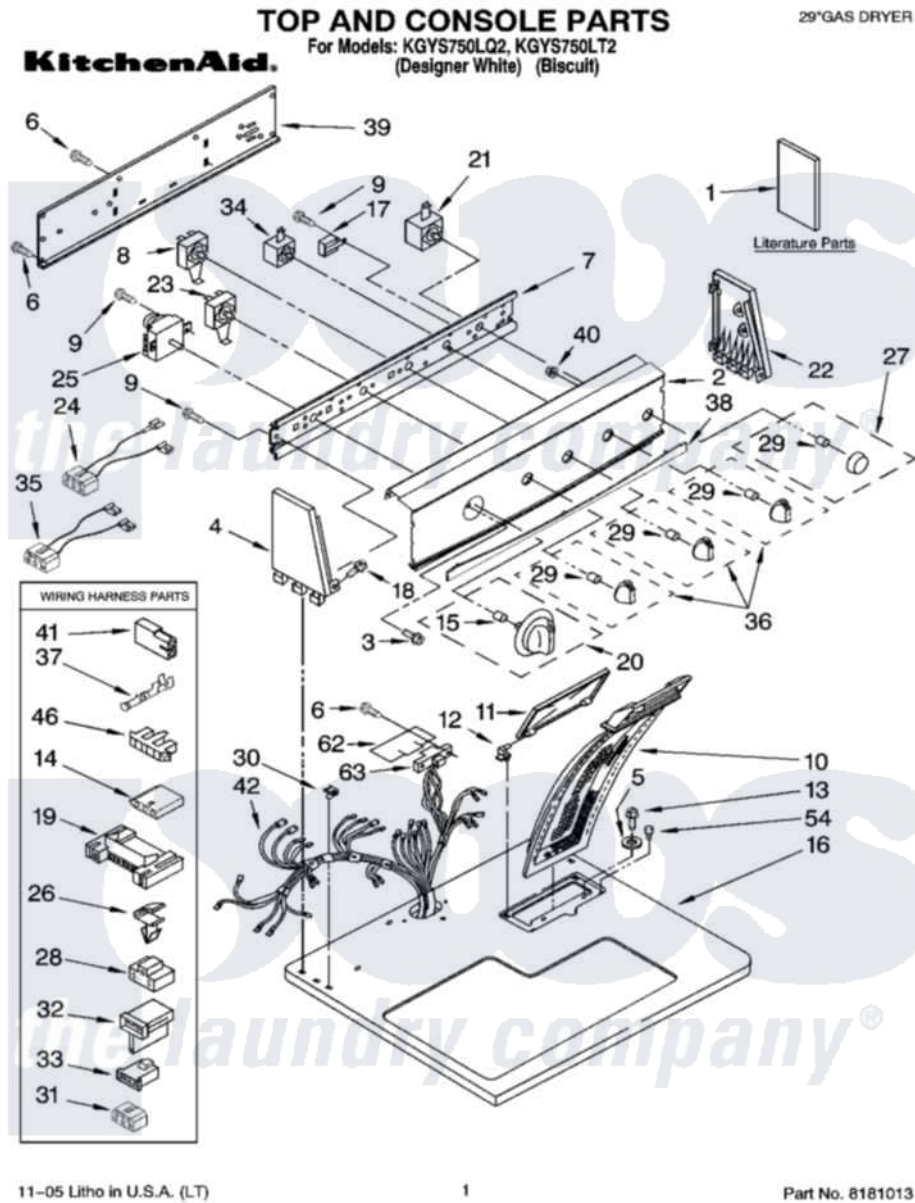


# Whirlpool KGYS750LT2 01 - TOP AND CONSOLE PARTS



11-05 Litho in U.S.A. (LT)

1

Part No. 8181013

Whirlpool Residential Whirlpool KGYS750LT2 Dryer Parts Parts Diagram 01 - TOP AND CONSOLE PARTS  
 Click on the part number to view part

Item	Original Part Number	Replaced By	Status	Part Description
1	8562584		Not Available	Instructions, Installation
"	8535890		Not Available	Sheet, Cycle Feature
"	8578194		Not Available	Guide, Use & Care
"	3406667		Not Available	Wiring Diagram
"	N/A		Not Available	Following May Be Purchased DO-IT-YOURSELF REPAIR MANUALS
"	677818		Not Available	Manual, Do-It- Yourself Repair (Dryer)
2	3977976	<a href="#">280013</a>		Panel-Control
"	3977977	<a href="#">280014</a>		Panel-Control
3	8533951	<a href="#">3400859</a>		Screw, Grounding
4	8274353	<a href="#">285858</a>		Endcap
"	8274355	<a href="#">285859</a>		Endcap
5	237446	<a href="#">487596</a>		Washer
6	<a href="#">693995</a>			Screw, Hex Head
7	<a href="#">8271418</a>			Bracket, Control

8	<a href="#">3405156</a>		Switch, Rotary
9	8533971	<a href="#">90767</a>	Screw, 8A X 3/8 HeX Washer Head Tapping
10	<a href="#">349639</a>		HANdle And Lint Screen Assembly
11	<a href="#">8283378</a>		Cover, Lint Screen
"	<a href="#">8283380</a>		Cover, Lint Screen
12	3978605	<a href="#">W10044470</a>	Hinge, RH
"	<a href="#">3978606</a>		Hinge, Lint Lid
13	688983	<a href="#">487240</a>	Screw, For Mtg. Service Capacitor
14	<a href="#">3936144</a>		Do-It-Yourself Repair Manuals
15	<a href="#">688805</a>		Clip, Spring Knob
16	8274386	<a href="#">8521923</a>	Top
"	8274387	<a href="#">8521924</a>	Top
17	<a href="#">694419</a>		Mini-Buzzer
18	<a href="#">388326</a>		Screw, 8-18 X 1.25
19	<a href="#">3395683</a>		Receptacle, Multi-Terminal
20	<a href="#">3956185</a>		Knob, Timer
"	<a href="#">3956186</a>		Knob, Timer
21	<a href="#">3398094</a>		Switch, Push To Start
22	8274349	<a href="#">285858</a>	Endcap
"	8274351	<a href="#">285859</a>	Endcap
23	<a href="#">3399639</a>		Switch, Rotary Temperature
24	<a href="#">3401695</a>		Wire, Jumper Buzzer
"	<a href="#">8283276</a>		Wire, Jumper
25	<a href="#">3976570</a>		Timer, 60 Hz
26	<a href="#">3394427</a>		Clip-Harness
27	<a href="#">8536921</a>		Knob, Push To Start
"	<a href="#">8536922</a>		Knob, Push To Start
28	<a href="#">3401144</a>		Connector
29	<a href="#">8536939</a>		Clip, Knob
30	<a href="#">357213</a>		Nut, Push-In
31	<a href="#">3347243</a>		Block, Disconnect
32	<a href="#">3403499</a>		Connector, 2-Postion
33	<a href="#">3403498</a>		Connector, 3-Position
34	<a href="#">3399638</a>		Switch, Temperature
35	8283289	<a href="#">8539893</a>	Wire, Jumper
36	<a href="#">3956182</a>		Knob, Control
"	<a href="#">3956183</a>		Knob, Control
37	<a href="#">94614</a>		Terminal
38	<a href="#">8536944</a>		Spacer, Console
"	<a href="#">8536945</a>		Spacer, Console
39	<a href="#">8274261</a>		Do-It-Yourself Repair Manuals
40	<a href="#">8533828</a>		Nut, 3/16
41	<a href="#">717252</a>		Receptacle, Terminal
42	<a href="#">8299881</a>		Harness, Wiring
46	<a href="#">3397269</a>		Connector, Timer
54	297535	<a href="#">17258</a>	Bumper
62	<a href="#">8558178</a>		Control, Electronic
63	<a href="#">3391885</a>		Connector, Edge