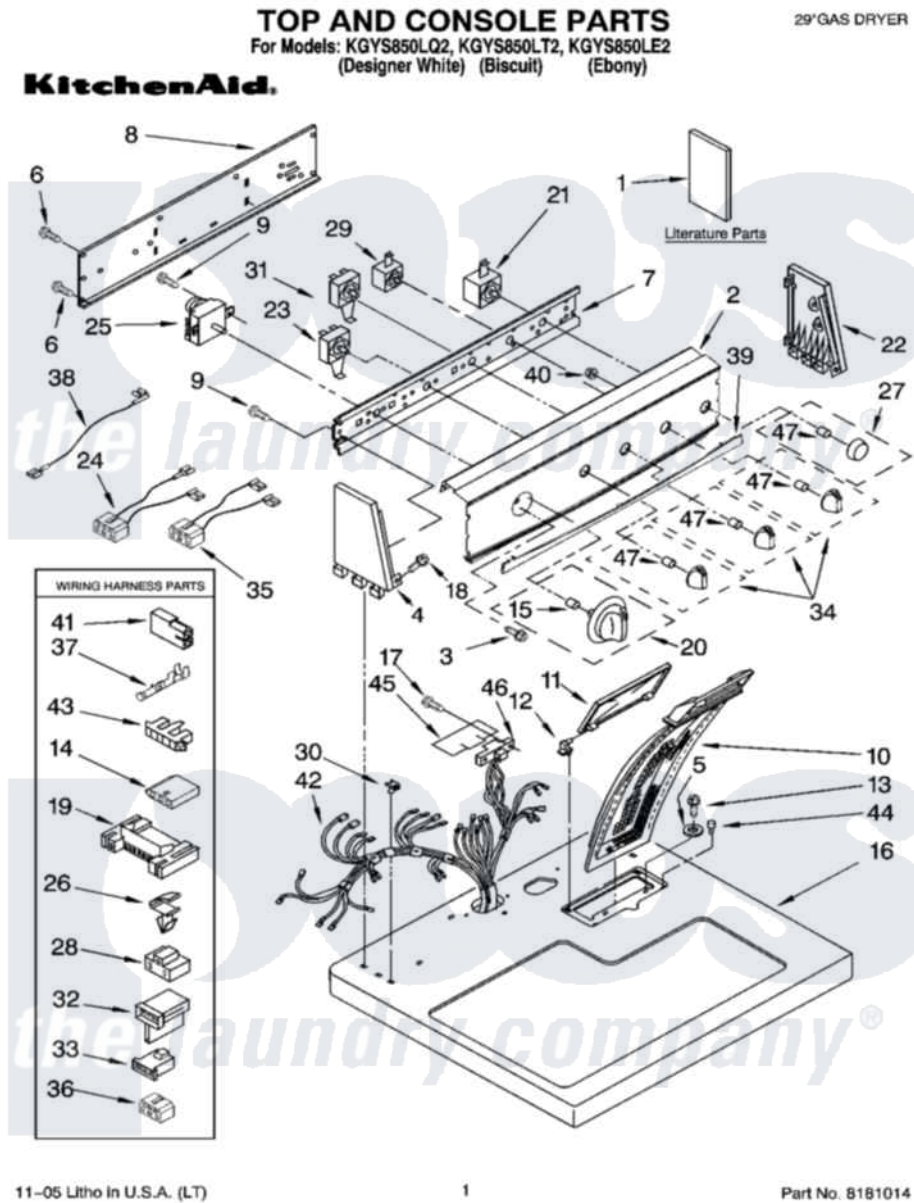


Whirlpool KGYS850LE2 01 - TOP AND CONSOLE PARTS



Whirlpool [Residential Whirlpool KGYS850LE2 Dryer Parts](#) Parts Diagram 01 - TOP AND CONSOLE PARTS
Click on the part number to view part

| Item | Original Part Number | Replaced By | Status | Part Description |
|------|----------------------|-------------------------|---------------|--|
| 1 | 8562584 | | Not Available | Instructions, Installation |
| " | 8535890 | | Not Available | Sheet, Cycle Feature |
| " | 8578194 | | Not Available | Guide, Use & Care |
| " | 3979569 | | Not Available | Wiring Diagram |
| " | N/A | | Not Available | Following May Be Purchased DO-IT-YOURSELF REPAIR MANUALS |
| " | 677818 | | Not Available | Manual, Do-It- Yourself Repair (Dryer) |
| 2 | 3977978 | 280015 | | Panel-Control |
| " | 3977979 | 280016 | | Panel-Control |
| " | 3977980 | 280017 | | Panel-Control |
| 3 | 8533951 | 3400859 | | Screw, Grounding |
| 4 | 8274353 | 285858 | | Endcap |
| " | 8274355 | 285859 | | Endcap |
| " | 3954772 | 285860 | | Baffle - Oven Top |
| 5 | 237446 | 487596 | | Washer |

| | | | |
|----|-------------------------|---------------------------|---|
| 6 | 693995 | | Screw, Hex Head |
| 7 | 8271418 | | Bracket, Control |
| 8 | 8274261 | | Do-It-Yourself Repair Manuals |
| 9 | 8533971 | 90767 | Screw, 8A X 3/8 HeX Washer Head Tapping |
| 10 | 349639 | | HANdle And Lint Screen Assembly |
| 11 | 8283378 | | Cover, Lint Screen |
| " | 8283380 | | Cover, Lint Screen |
| " | 3979324 | | Cover, Lint Screen |
| 12 | 3978605 | W10044470 | Hinge, RH |
| " | 3978606 | | Hinge, Lint Lid |
| 13 | 688983 | 487240 | Screw, For Mtg. Service Capacitor |
| 14 | 3936144 | | Do-It-Yourself Repair Manuals |
| 15 | 688805 | | Clip, Spring Knob |
| 16 | 8274386 | 8521923 | Top |
| " | 8274387 | 8521924 | Top |
| " | 3978787 | 8521925 | Top |
| 17 | 337686 | Not Available | SCREW, 8-18 X .500 |
| 18 | 388326 | | Screw, 8-18 X 1.25 |
| 19 | 3395683 | | Receptacle, Multi-Terminal |
| 20 | 3956185 | | Knob, Timer |
| " | 3956186 | | Knob, Timer |
| " | 3956187 | | Knob, Timer |
| 21 | 3398094 | | Switch, Push To Start |
| 22 | 8274349 | 285858 | Endcap |
| " | 8274351 | 285859 | Endcap |
| " | 3954771 | 285860 | Baffle - Oven Top |
| 23 | 3399640 | | Switch, Rotary |
| 24 | 8283276 | | Wire, Jumper |
| 25 | 3976570 | | Timer, 60 Hz |
| 26 | 3394427 | | Clip-Harness |
| 27 | 8536921 | | Knob, Push To Start |
| " | 8536922 | | Knob, Push To Start |
| " | 8536923 | | Knob, Push-To-Start |
| 28 | 3401144 | | Connector |
| 29 | 3398093 | | Buzzer, Adjustable |
| 30 | 357213 | | Nut, Push-In |
| 31 | 3405156 | | Switch, Rotary |
| 32 | 3403499 | | Connector, 2-Postion |
| 33 | 3403498 | | Connector, 3-Position |
| 34 | 3956182 | | Knob, Control |
| " | 3956183 | | Knob, Control |
| " | 3956184 | | Knob, Control |
| 35 | 8283279 | | Wire, Jumper |
| 36 | 3347243 | | Block, Disconnect |
| 37 | 94614 | | Terminal |
| 38 | 3401668 | | Wire, Jumper |
| 39 | 8536944 | | Spacer, Console |
| " | 8536945 | | Spacer, Console |
| " | 8536946 | | Spacer, Console |
| 40 | 8533828 | | Nut, 3/16 |
| 41 | 717252 | | Receptacle, Terminal |

| | | | |
|----|-------------------------|-----------------------|---------------------|
| 42 | 8299881 | | Harness, Wiring |
| 43 | 3397269 | | Connector, Timer |
| 44 | 297535 | 17258 | Bumper |
| 45 | 8558178 | | Control, Electronic |
| 46 | 3391885 | | Connector, Edge |
| 47 | 8536939 | | Clip, Knob |

