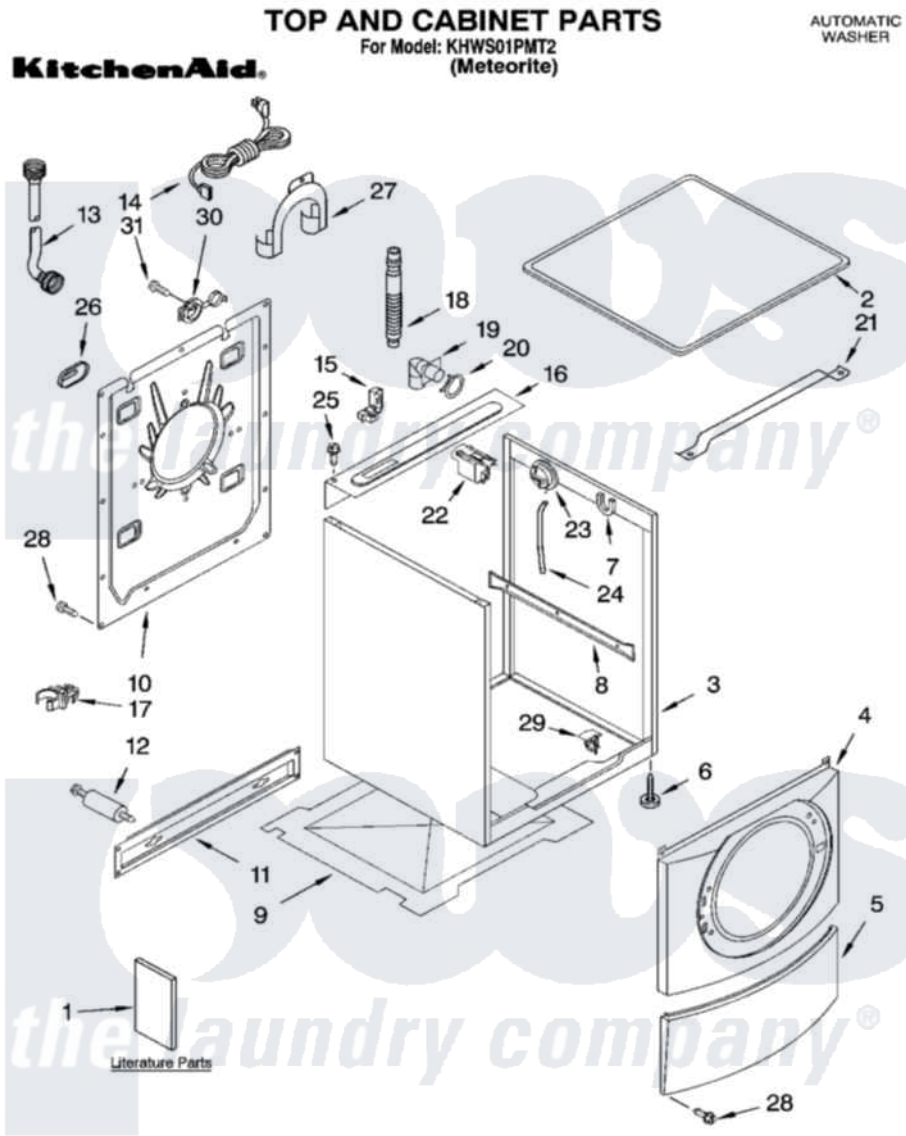


Whirlpool KHWS01PMT2 01 - TOP AND CABINET PARTS



4-04 Printed in U.S.A. (awm)

1

Part No. 8180304

Whirlpool [Residential Whirlpool KHWS01PMT2 Washer Parts](#) Parts Diagram 01 - TOP AND CABINET PARTS
 Click on the part number to view part

Item	Original Part Number	Replaced By	Status	Part Description
1	LIT8182400		Not Available	Use and Care Guide
"	LIT8182318		Not Available	Energy Guide
"	LIT8182142		Not Available	Literature Parts (DVD-Instruction)
"	LIT8182143		Not Available	Literature Parts (Quick Start Guide)
"	LIT8182258		Not Available	Dispenser Guide
"	LIT8182208		Not Available	Literature Parts (Tech Sheet)
2	8182147			Top
3	8182145			Cabinet
4	8182146			Panel, Front
5	8182148			Toe Panel
6	8181636			Foot, Leveling
7	8181763			Bracket, Spring
8	8181634			Brace, Side Panel
9	8181635			Pan, Bottom
10	8182118	8182698		Panel, Rear

11	8182117	W10003040	Brace, Transport
12	8182124	W10289554A	Bolt
"	8182125	W10289554A	Bolt
13	8181706	76314	Hose, Inlet 6 Ft. Hose With Elbow
"	8181707	76314	Hose, Inlet 6 Ft. Hose With Elbow
14	8181689	8182649	Cord, Power
15	8181690	8182635	Strain Relief
16	8182116	W10138248	Brace, Rear
17	8181749	Not Available	Clamp, Tube Transportation
18	8181737		Hose, Drain
19	8181738		Connector, Hose Outlet
20	8181752	3367052	Clamp, Hose
21	8181632		Brace, Top
22	8181683	W10326464	Filter, Interference
23	8181695		Switch, Pressure
24	8181739	W10004260	Hose, Pressure Switch
25	8181691		Screw
26	8182216		Cover, Transport
27	8181768	W10280024	U-Bend, Drain Hose
28	8181828	488729	Screw
29	8181930	W10085220	Microswitch
30	8182200	8182699	Grommet, Cord Support
31	8182201		Screw, 3 X 8 mm
"	N/A	Not Available	FOLLOWING PARTS NOT ILLUSTRATED
"	8182109		Harness Channel

the laundry company[®]

the laundry company[®]