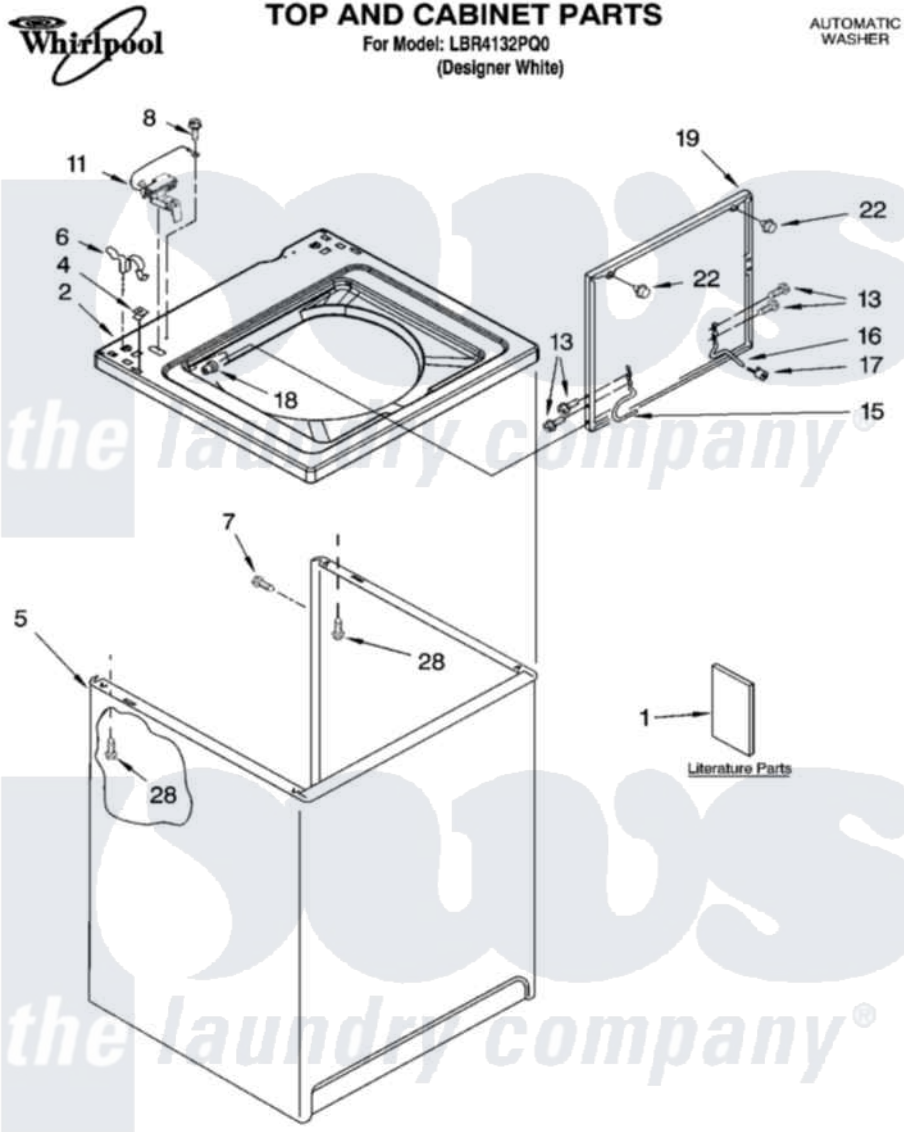


# Whirlpool LBR4132PQ0 01 - TOP AND CABINET PARTS



04-04 Litho in U.S.A. (drd)

1

Part No. 8180313

Whirlpool [Residential Whirlpool LBR4132PQ0 Washer Parts](#) Parts Diagram 01 - TOP AND CABINET PARTS  
 Click on the part number to view part

Item	Original Part Number	Replaced By	Status	Part Description
1	LIT3956025		Not Available	Literature Parts (Installation Instructions)
"	<a href="#">LIT3955869</a>			Literature Parts
"	LIT3955901		Not Available	Literature Parts (Feature Sheet)
"	LIT8546683		Not Available	Literature Parts (Wiring Diagram)
"	LIT3956349		Not Available	Literature Parts (Energy Guide)
"	N/A		Not Available	Following May Be Purchased DO-IT-YOURSELF REPAIR MANUALS
"	LIT4313896	<a href="#">4313896</a>		Do-It-Yourself Repair Manuals
2	<a href="#">8541621</a>			Top
4	<a href="#">357213</a>			Nut, Push-In
5	<a href="#">63128</a>			Cabinet
6	<a href="#">62780</a>			Clip, Top And Cabinet And Rear Panel
7	3357011	<a href="#">308685</a>		Side Trim )
				Screw, Cross-Point Cover

8	<a href="#">3351614</a>		Screw, Gearcase Cover Mounting
11	<a href="#">8318084</a>		Switch, Lid
13	3351355	<a href="#">W10119828</a>	Screw, Lid Hinge Mounting
15	<a href="#">8318088</a>		Hinge, Lid
16	<a href="#">54583</a>		Hinge, Lid
17	<a href="#">19119</a>		Bumper, Lid Hinge
18	<a href="#">21258</a>		Bearing, Lid Hinge
19	8542383	<a href="#">W10193857</a>	Lid
22	<a href="#">9724509</a>		Bumper, Lid
28	<a href="#">3390631</a>		Screw, 10-16 X 3/8

