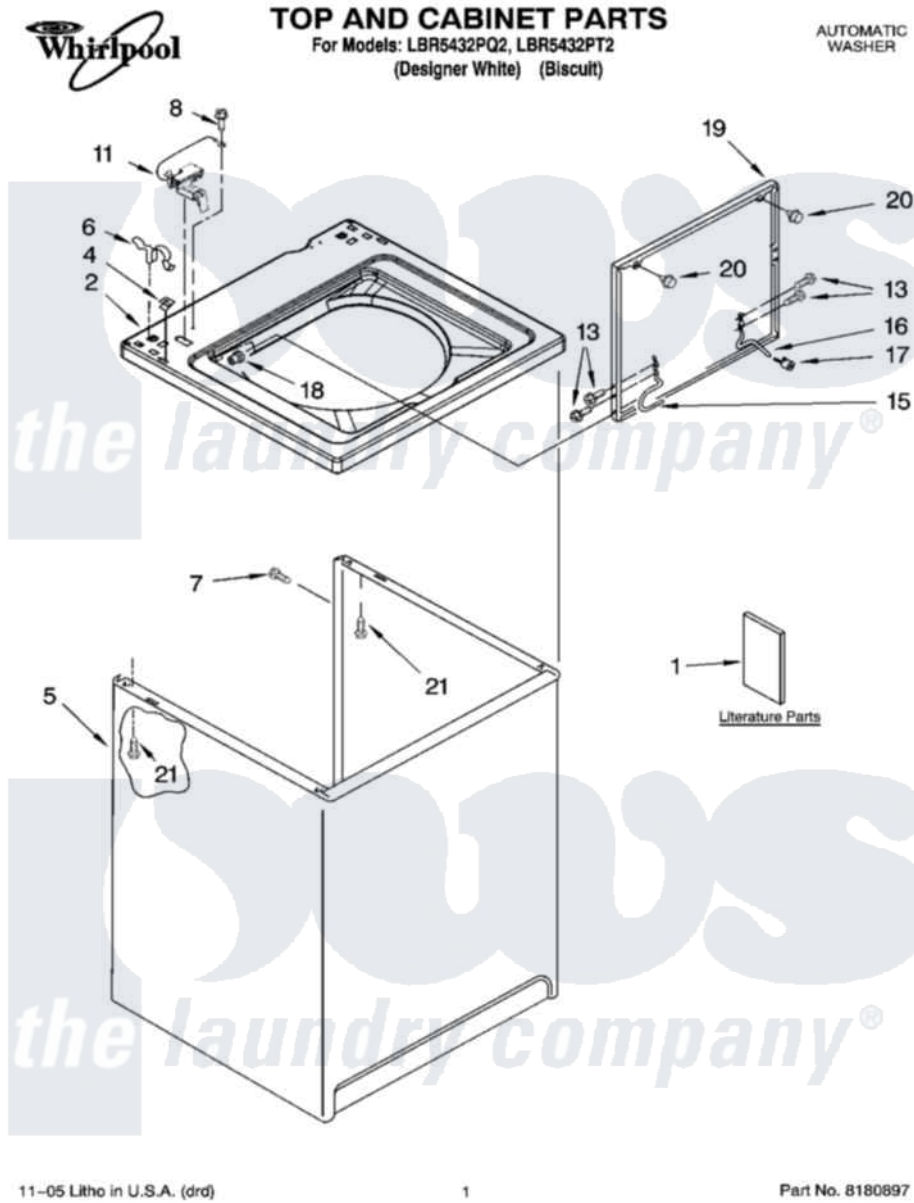


# Whirlpool LBR5432PT2 01 - TOP AND CABINET PARTS



11-05 Litho in U.S.A. (dtd)

1

Part No. 8180897

Whirlpool [Residential Whirlpool LBR5432PT2 Washer Parts](#) Parts Diagram 01 - TOP AND CABINET PARTS  
 Click on the part number to view part

Item	Original Part Number	Replaced By	Status	Part Description
1	3958075		Not Available	Installation Instructions
"	3955901		Not Available	Feature Sheet
"	8578232		Not Available	Use & Care Guide
"	8557228		Not Available	Wiring Diagram
"	3957458		Not Available	Energy Guide
"	N/A		Not Available	Following May Be Purchased
"	N/A		Not Available	DO-IT-YOURSELF REPAIR MANUALS
"	<a href="#">4313896</a>			Do-It-Yourself Repair Manuals
2	<a href="#">8541621</a>			Top
"	<a href="#">8541623</a>			Top
4	<a href="#">357213</a>			Nut, Push-In
5	<a href="#">63128</a>			Cabinet
"	<a href="#">3954777</a>			Cabinet
6	<a href="#">62780</a>			Clip, Top And Cabinet And Rear Panel
7	3357011	<a href="#">308685</a>		Side Trim )

8	<a href="#">3351614</a>		Screw, Gearcase Cover Mounting
11	<a href="#">8318084</a>		Switch, Lid
13	3351355	<a href="#">W10119828</a>	Screw, Lid Hinge Mounting
15	<a href="#">8318088</a>		Hinge, Lid
16	<a href="#">54583</a>		Hinge, Lid
17	<a href="#">19119</a>		Bumper, Lid Hinge
18	<a href="#">21258</a>		Bearing, Lid Hinge
19	8542383	<a href="#">W10193857</a>	Lid
"	8542385	<a href="#">3957521</a>	Lid
20	<a href="#">9724509</a>		Bumper, Lid
21	<a href="#">3390631</a>		Screw, 10-16 X 3/8

**Howes**  
*the laundry company*<sup>®</sup>

**Howes**  
*the laundry company*<sup>®</sup>

**Howes**  
*the laundry company*<sup>®</sup>